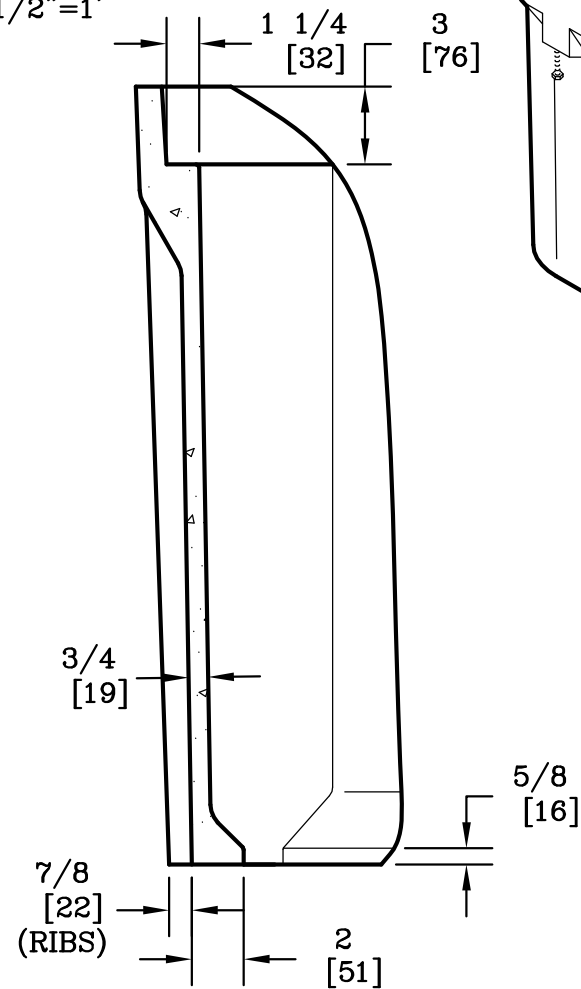


SECTION A-A

SCALE: 1 1/2"=1'

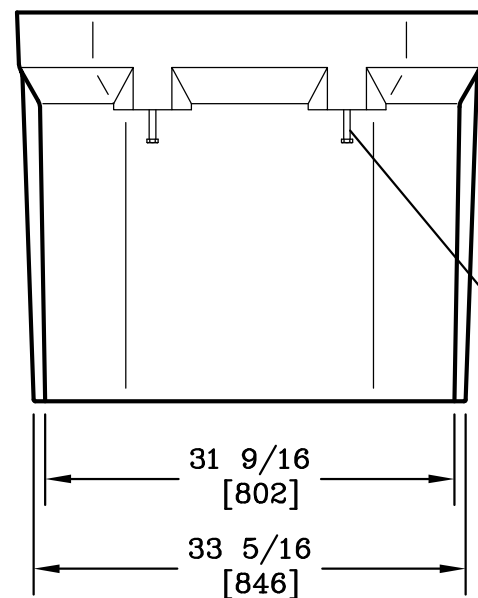
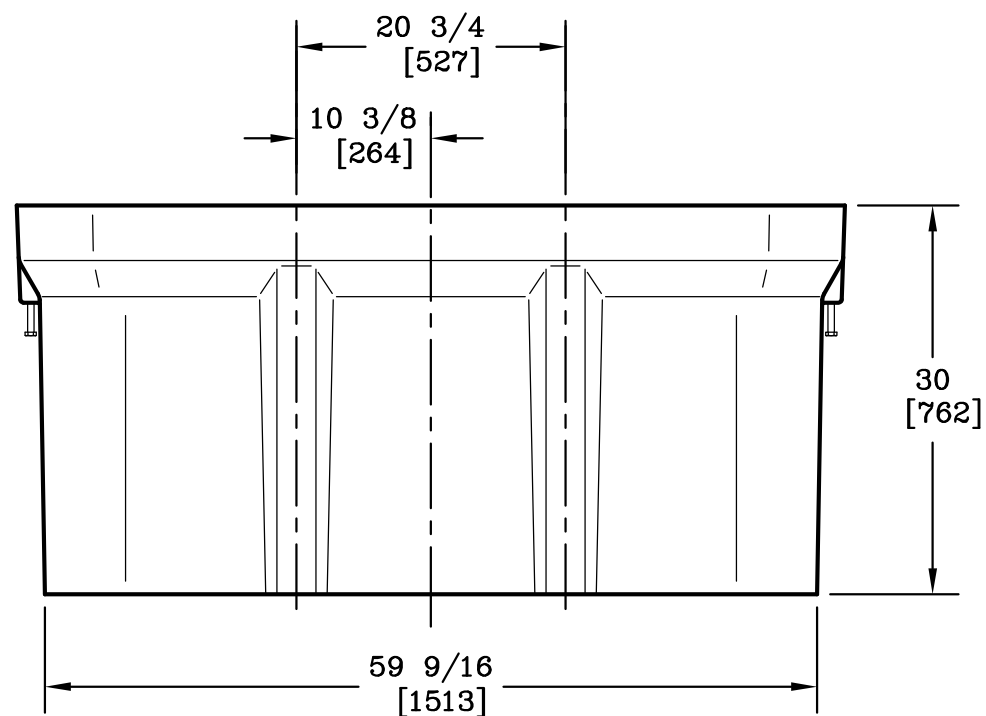
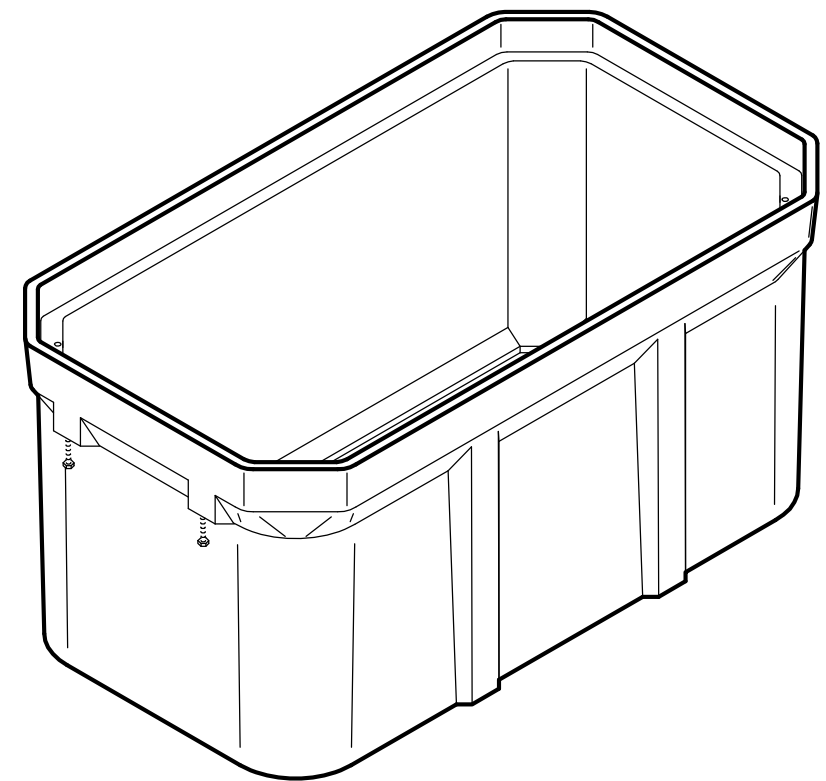


SECTION B-B

SCALE: 1 1/2"=1'


1/2-13 UNC LIFTING BOLT
4 PLACES

1/2-6 SELF ALIGNING,
REPLACEABLE S.S. EZ-NUT
2 PLACES



NOTE:

1. DIMENSIONS IN BRACKETS ARE IN MILLIMETERS UNLESS NOTED OTHERWISE.

DIMENSIONS ARE IN INCHES OR MILLIMETERS IN BRACKETS UNLESS OTHERWISE NOTED.					
DRN	BY	DATE	WEIGHT	 3621 INDUSTRIAL PARK DR LENOIR CITY, TN 37771 800-346-3062 www.quazite.com	LOC
CHK	ENG	APR	APR		S
APR	APR	APR	APR	DRAWING DESCRIPTION	REV
PROJECT NUMBER				SCALE	QUAZITE[®] BOX
00278				3/4"=1'	
SHEET 1 OF 1				SIZE	DRAWING NUMBER PG3060BA30
				B	