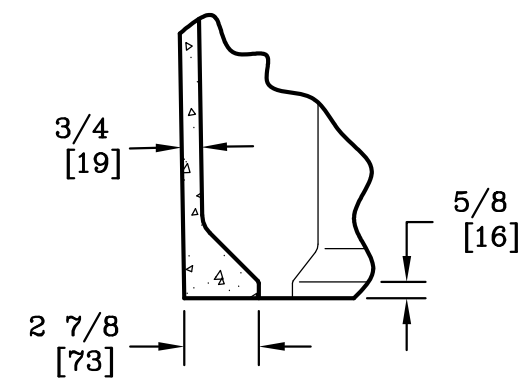


SECTION B-B
SCALE: 1 1/2"=1'

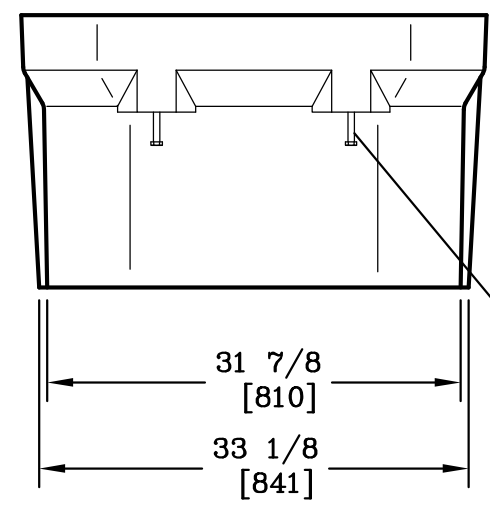
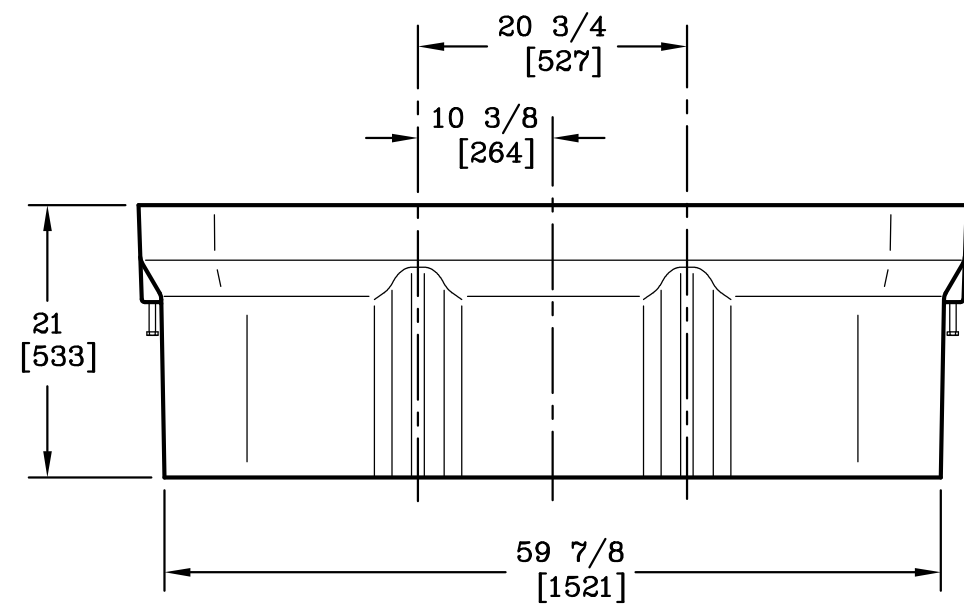
1/2-6 SELF ALIGNING,
REPLACEABLE S.S. EZ-NUT
2 PLACES




SECTION A-A
SCALE: 1 1/2"=1'

NOTE:

1. DIMENSIONS IN BRACKETS ARE IN MILLIMETERS UNLESS NOTED OTHERWISE.



1/2-13 UNC
LIFTING BOLT
4 PLACES

DIMENSIONS ARE IN INCHES OR MILLIMETERS IN BRACKETS UNLESS OTHERWISE NOTED.					
BY	DATE	WEIGHT	 3621 INDUSTRIAL PARK DR LENOIR CITY, TN 37771 800-346-3062 www.quazite.com	LOC	
DRN	JJP	4/26/00		363# 165kg	S
CHK	KPC	5/8/00	SCALE	DRAWING DESCRIPTION	REV
ENG			3/4"=1'		
APR			SIZE		
APR			B		
PROJECT NUMBER				DRAWING NUMBER	
00277					PG3060BA21
SHEET 1 OF 1					