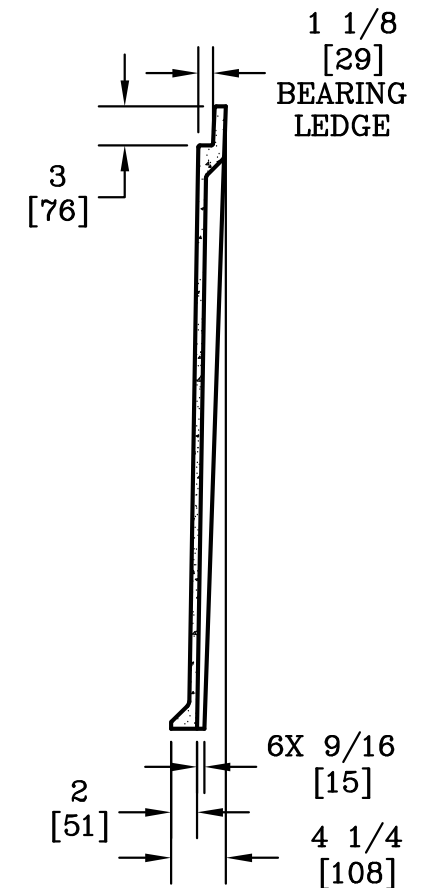
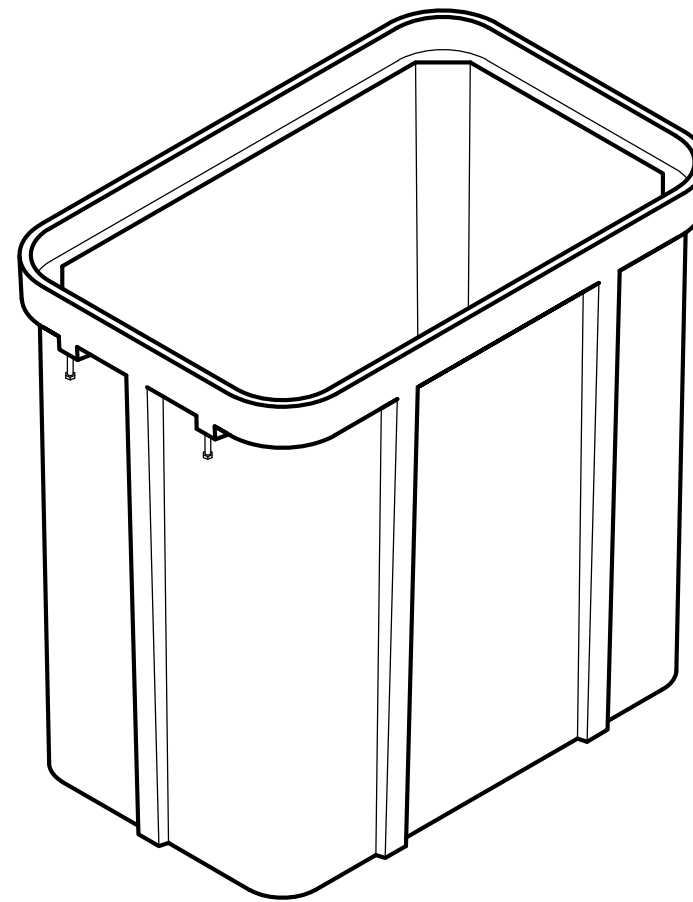


3/8-7 SELF ALIGNING,
REPLACEABLE S.S. EZ-NUT
2 PLACES

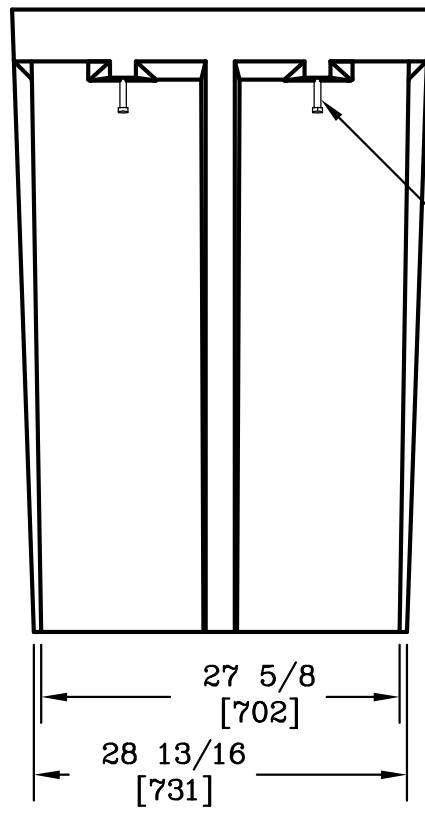
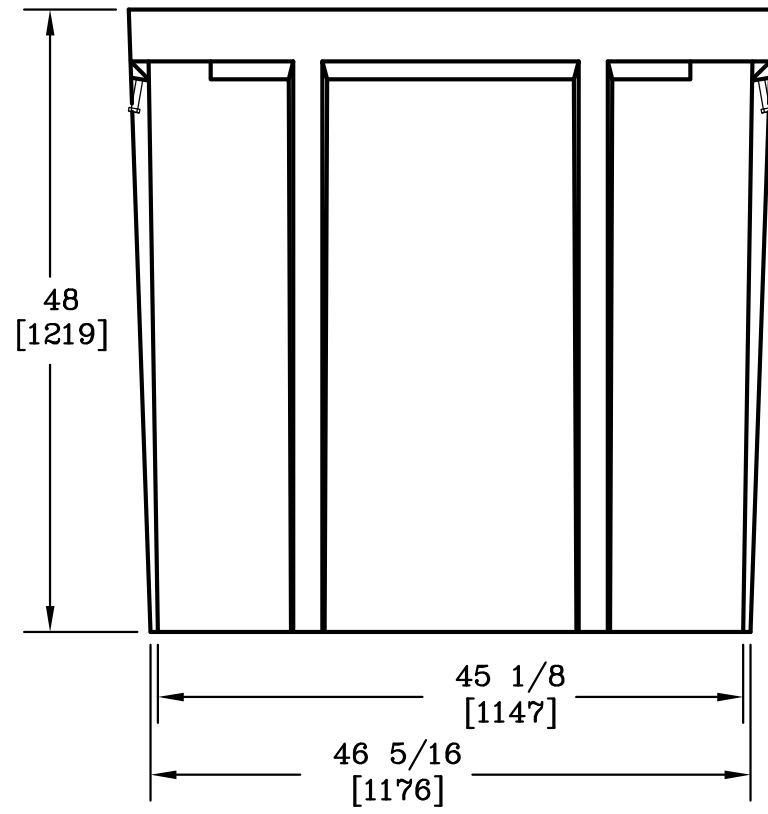


SECTION A-A

1/2-13 UNC
LIFTING BOLT
4 PLACES

NOTE:

1. THIS BOX IS TO BE USED AS THE BOTTOM UNIT WHEN USED IN AN ASSEMBLY.



DIMENSIONS ARE IN INCHES OR MILLIMETERS IN BRACKETS UNLESS OTHERWISE NOTED.					
DRN	BY	DATE	WEIGHT	3621 INDUSTRIAL PARK DR LENOIR CITY, TN 37771 800-346-3062 www.quazite.com	LOC
			468# 212kg		LC
CHK	M&F	5/8/12	SCALE	DRAWING DESCRIPTION QUAZITE® 30 X 48 X 48 BOX STANDARD VERSION	REV
ENG			3/4"=1'		B
APR			SIZE		
APR			B		3/14
PROJECT NUMBER					DRAWING NUMBER
108087					PG3048BA48
SHEET 1 OF 1					