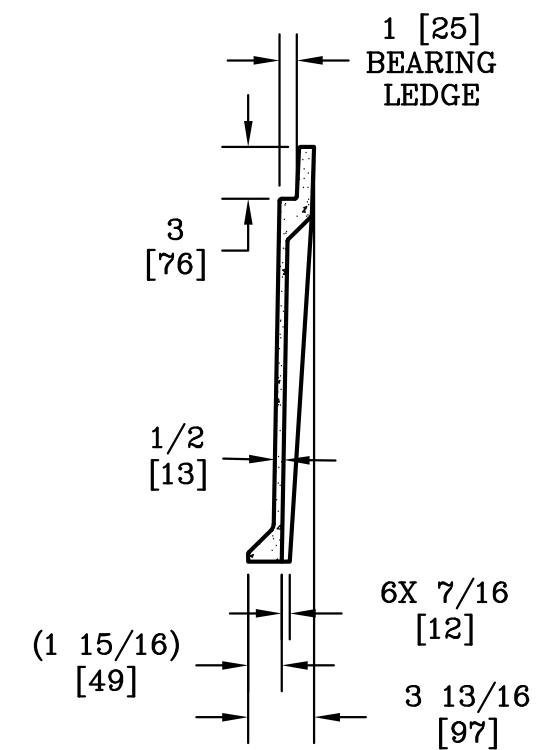
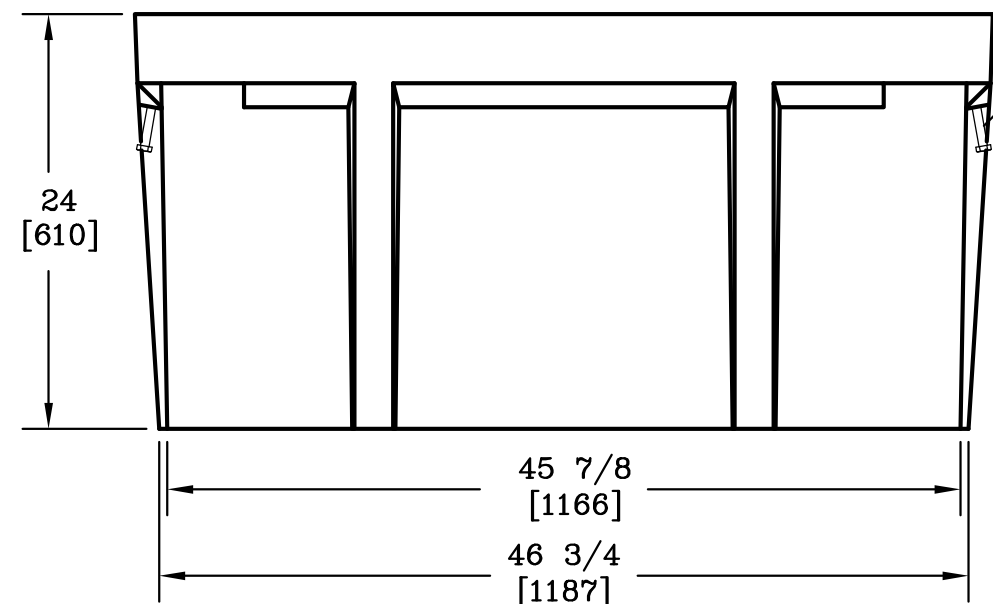


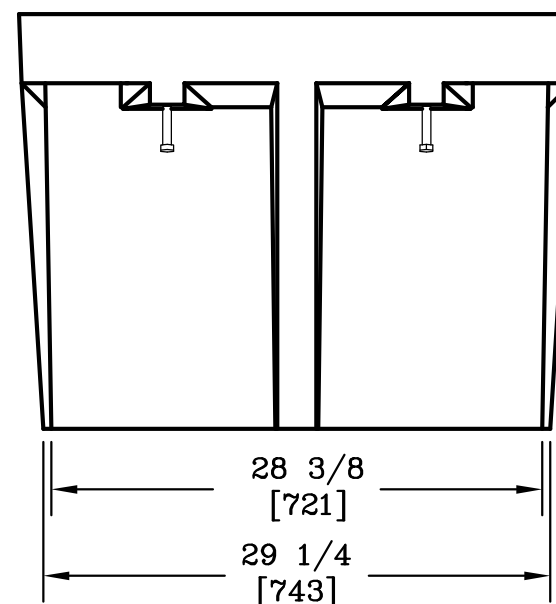
3/8-7 SELF ALIGNING,
REPLACEABLE S.S. EZ-NUT
2 PLACES




SECTION A-A



1/2-13 UNC
LIFTING BOLTS
4 PLACES



DIMENSIONS ARE IN INCHES OR MILLIMETERS IN BRACKETS UNLESS OTHERWISE NOTED.					
DRN	BY	DATE	WEIGHT	 3621 INDUSTRIAL PARK DR LENOIR CITY, TN 37771 800-346-3062 www.quazite.com	LOC
			244# 111kg		LC
CHK	WRJ	3/9/94	SCALE	DRAWING DESCRIPTION QUAZITE® BOX STANDARD VERSION	REV
ENG	MS	3/9/94	1"=1'		F
APR	M&F	3/9/94	SIZE		
APR	F.M.P.	3/9/94	B		3/12
PROJECT NUMBER			DRAWING NUMBER		
94073			PG3048BA24		
SHEET 1 OF 1					