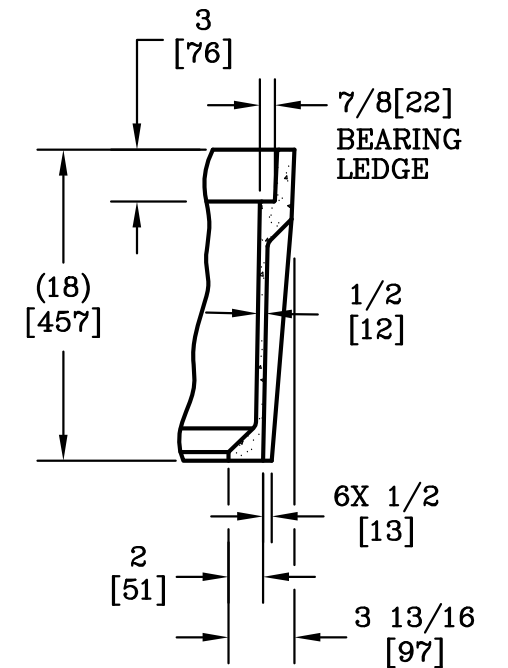
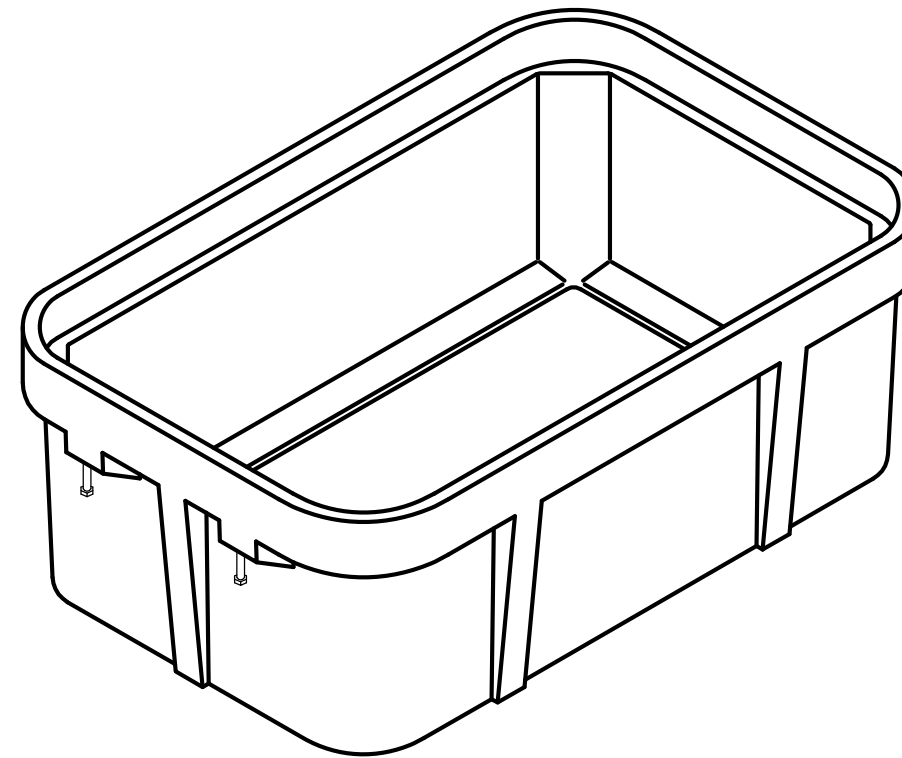
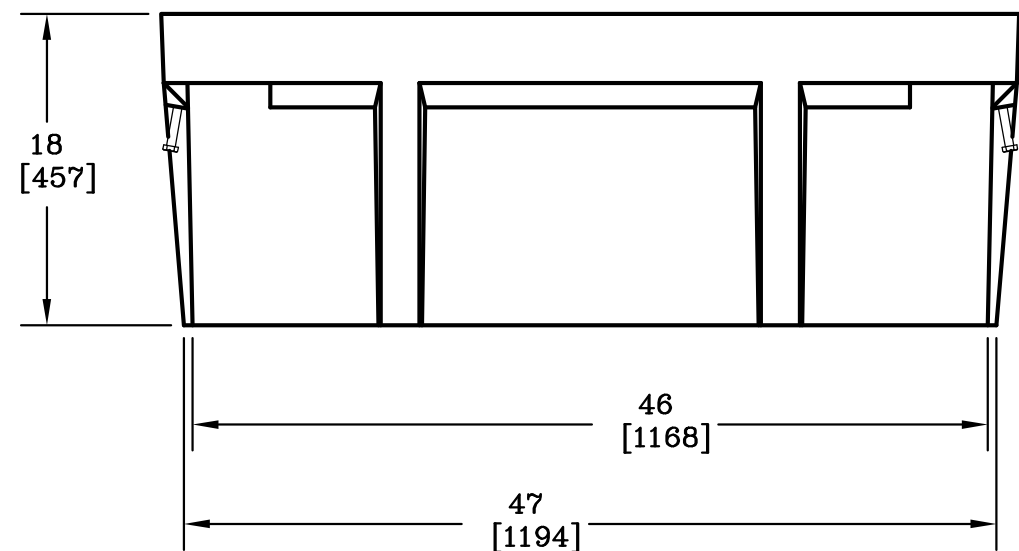


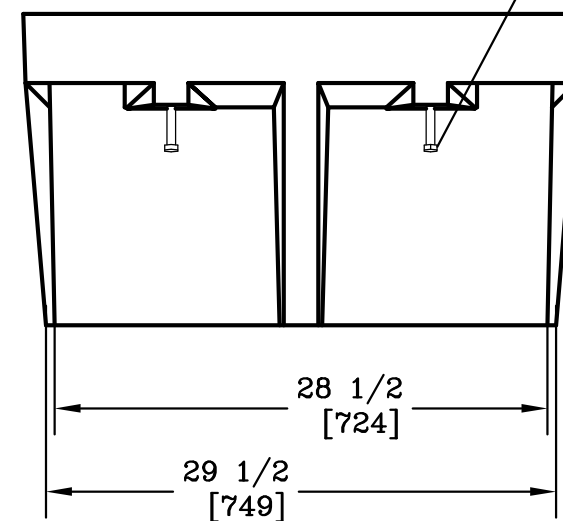
3/8-7 SELF ALIGNING,
REPLACEABLE S.S. EZ-NUT
2 PLACES



SECTION A-A



1/2-13 UNC
LIFTING BOLT
4 PLACES



NOTE:

1. DIMENSIONS IN BRACKETS ARE IN MILLIMETERS UNLESS NOTED OTHERWISE.



DIMENSIONS ARE IN INCHES OR MILLIMETERS IN BRACKETS UNLESS OTHERWISE NOTED.				HUBBELL® 3621 INDUSTRIAL PARK DR LENOIR CITY, TN 37771 800-346-3062 www.quazite.com		LOC
DRN	BY	DATE	WEIGHT	SCALE	DRAWING DESCRIPTION	S
			191# 87kg			1"=1'
CHK	ENG	APR	APR	SIZE	QUAZITE® BOX	K
				B		3/12
PROJECT NUMBER				DRAWING NUMBER		
84015				PG3048BA18		
SHEET 1 OF 1						