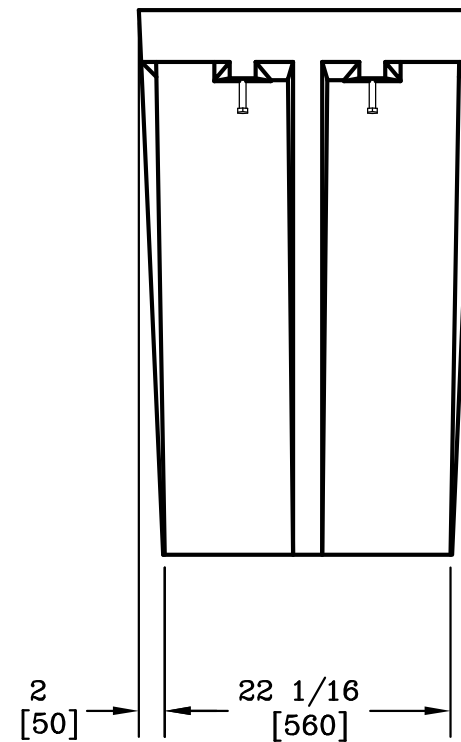
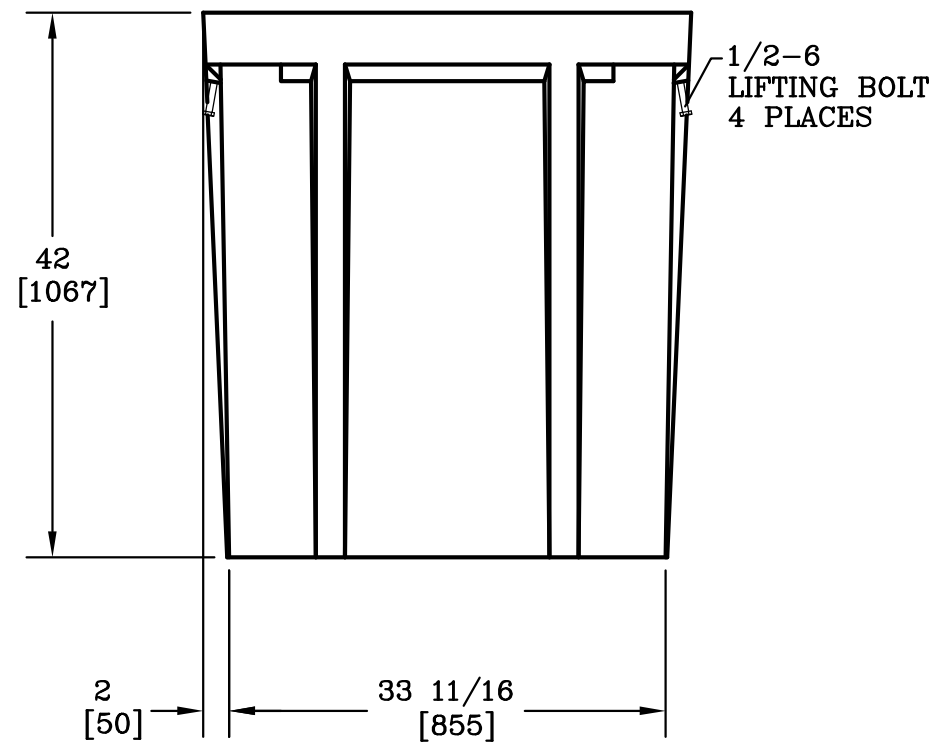


**SECTION A-A**  
SCALE: 1 1/2"=1'



**NOTE:**

1. DIMENSIONS IN BRACKETS ARE IN MILLIMETERS UNLESS NOTED OTHERWISE.

DIMENSIONS ARE IN INCHES OR MILLIMETERS IN BRACKETS UNLESS OTHERWISE NOTED.				HUBBELL® 3621 INDUSTRIAL PARK DR LENOIR CITY, TN 37771 800-346-3062 www.quazite.com		LOC
DRN	BY	DATE	WEIGHT	DRAWING DESCRIPTION	QUAZITE® BOX	S REV D
CHK	ENG	APR	293# 133kg			
APR	APR		SCALE 3/4"=1'			
			SIZE B			
PROJECT NUMBER 96360				DRAWING NUMBER PG2436BA42		3/12
				SHEET 1 OF 1		

