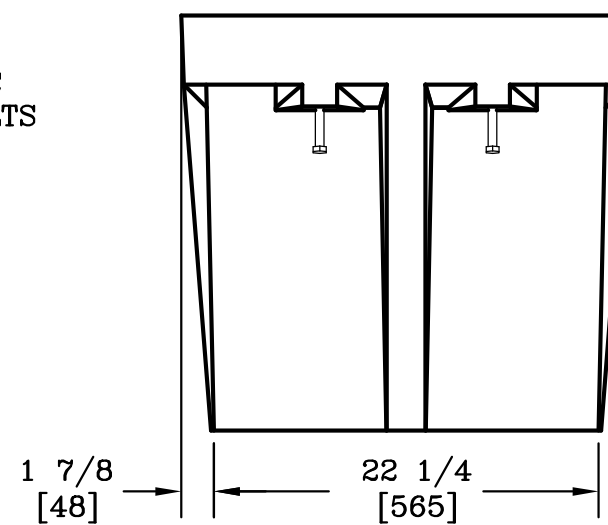
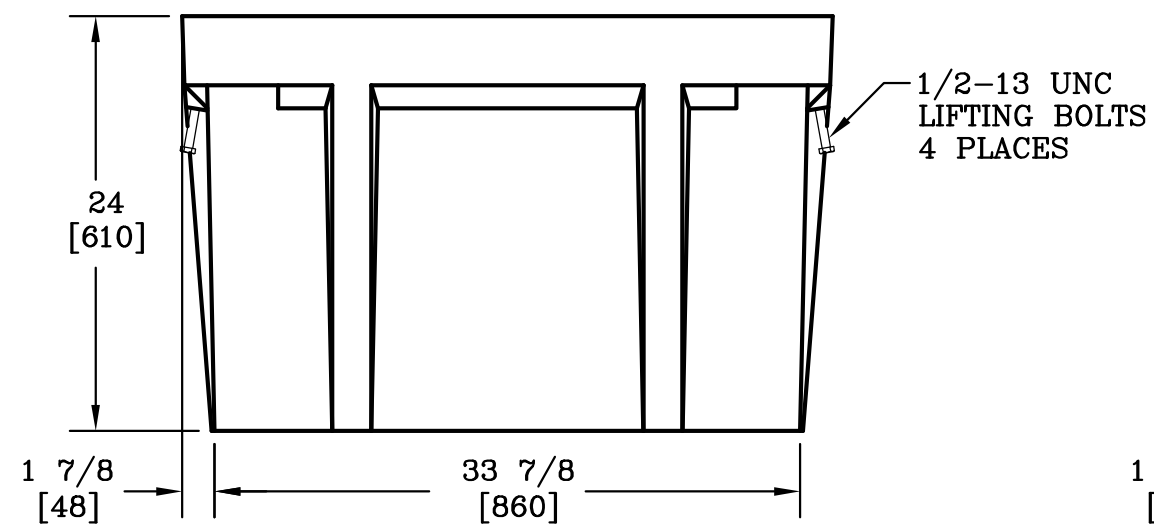



SECTION A-A
 SCALE: 6"=1'



DIMENSIONS ARE IN INCHES OR MILLIMETERS IN BRACKETS UNLESS OTHERWISE NOTED.					
DRN	BY	DATE	WEIGHT	 3621 INDUSTRIAL PARK DR LENOIR CITY, TN 37771 800-346-3062 www.quazite.com	LOC
			168# 76kg		LC
CHK			SCALE	DRAWING DESCRIPTION QUAZITE® BOX STANDARD VERSION	REV
ENG			1"=1'		G
APR			SIZE		3/12
APR			B		
PROJECT NUMBER					DRAWING NUMBER
93640					PG2436BA24
SHEET 1 OF 1					