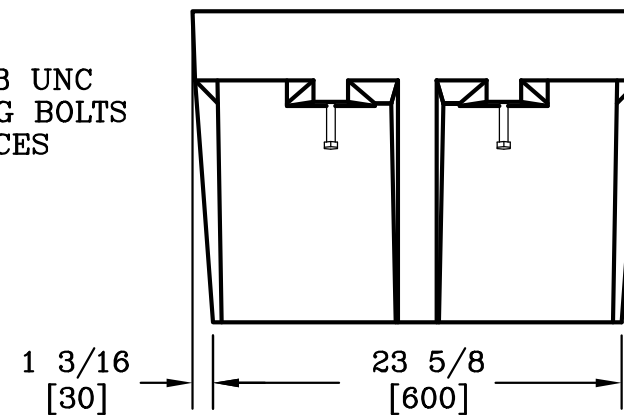
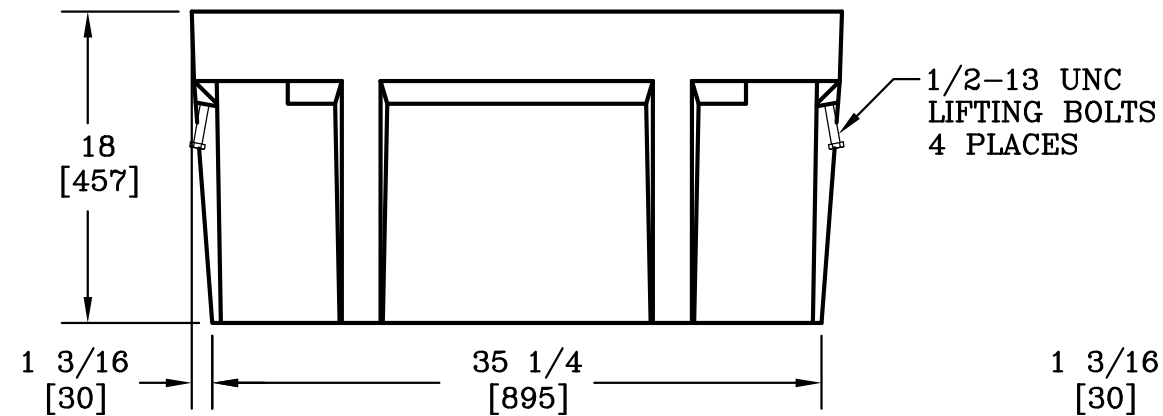



SECTION A-A
SCALE: 1"=6"



DIMENSIONS ARE IN INCHES OR MILLIMETERS IN BRACKETS UNLESS OTHERWISE NOTED.					
DRN	BY	DATE	WEIGHT	 3621 INDUSTRIAL PARK DR LENOIR CITY, TN 37771 800-346-3062 www.quazite.com	LOC
			141# 64kg		LC
CHK	M&F	2/8/91	SCALE	DRAWING DESCRIPTION QUAZITE® BOX STANDARD VERSION	REV
ENG	JTD	2/8/91	1'=1'		K
APR	F.M.P	2/10/91	SIZE		
APR	VJB	2/18/91	B		3/12
PROJECT NUMBER					DRAWING NUMBER
91096					PG2436BA18
SHEET 1 OF 1					