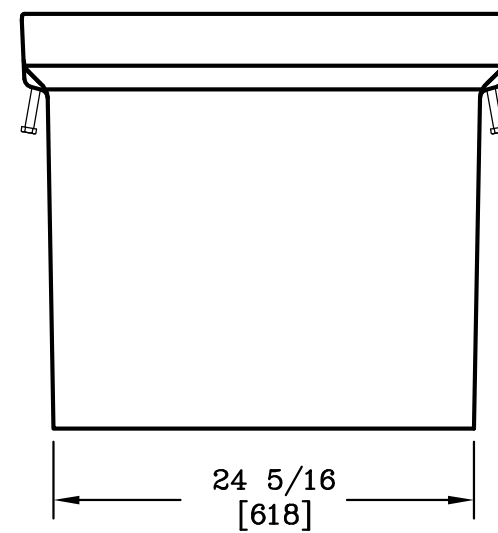
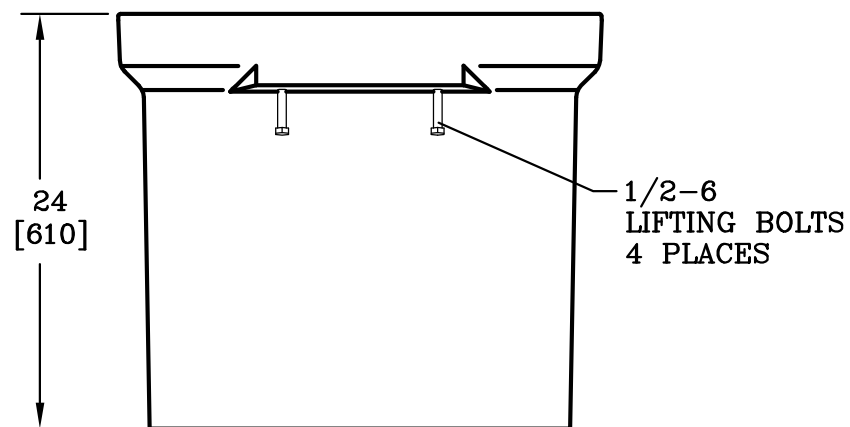


**SECTION A-A**



**NOTE:**

1. DIMENSIONS IN BRACKETS ARE IN MILLIMETERS UNLESS NOTED OTHERWISE.

DIMENSIONS ARE IN INCHES OR MILLIMETERS IN BRACKETS UNLESS OTHERWISE NOTED.				3621 INDUSTRIAL PARK DR LENOIR CITY, TN 37771 800-346-3062 www.quazite.com	LOC	
DRN	BY	DATE	WEIGHT		DRAWING DESCRIPTION	S
CHK	ENG	APR	SCALE	<b>QUAZITE®</b> <b>BOX</b>		REV
APR	APR	APR	SIZE			E
APR			B			3/12
PROJECT NUMBER			DRAWING NUMBER			
<b>00461</b>			<b>PG2424BA24</b>			
SHEET 1 OF 1						