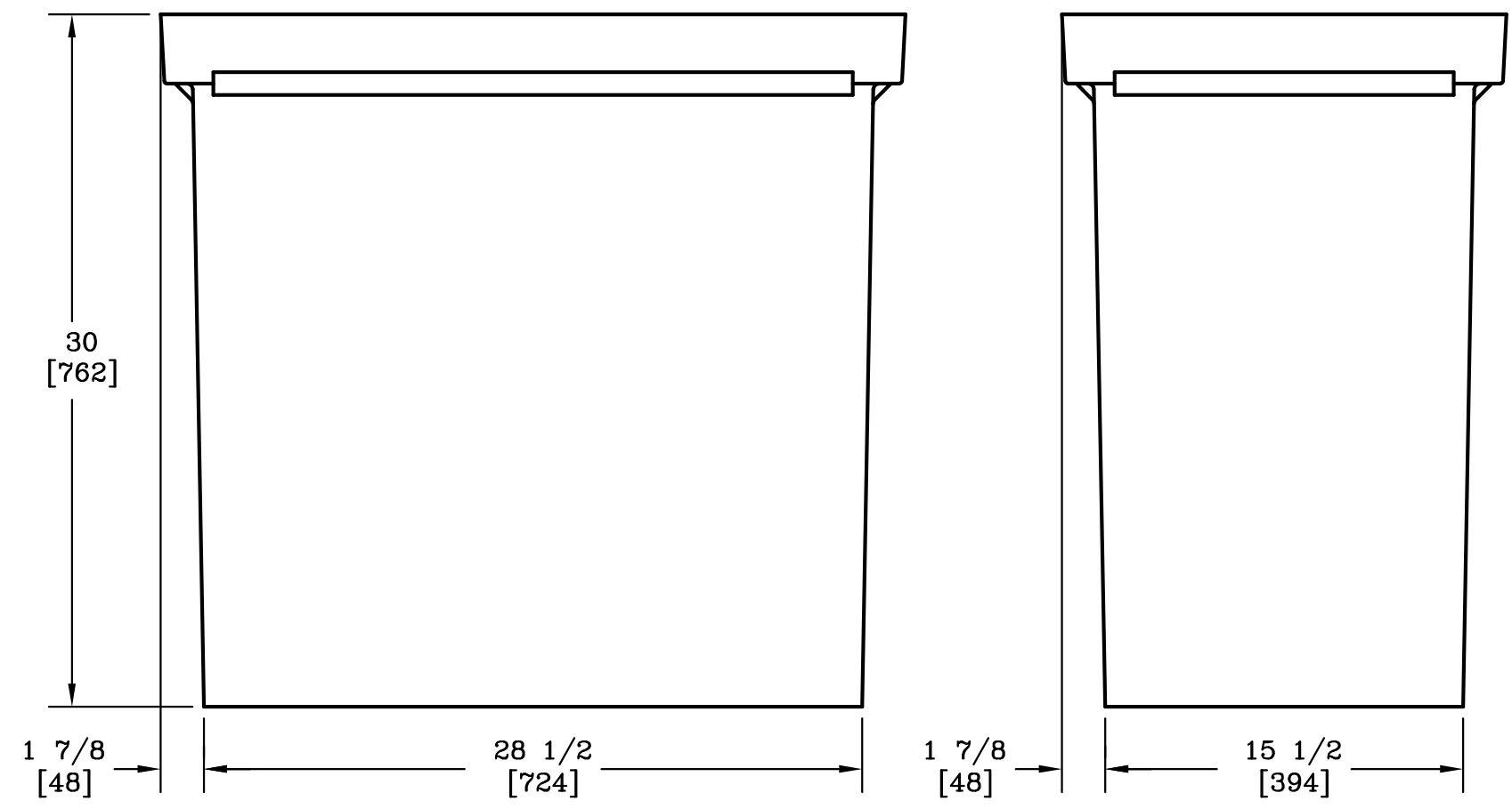


**SECTION A-A**



DIMENSIONS ARE IN INCHES OR MILLIMETERS IN BRACKETS UNLESS OTHERWISE NOTED.					
DRN	BY	DATE	WEIGHT	3621 INDUSTRIAL PARK DR LENOIR CITY, TN 37771 800-346-3062 www.quazite.com	LOC
CHK	ENG	APR	APR		SCALE
				1 1/2"=1'	REV
PROJECT NUMBER				DRAWING DESCRIPTION	E
96000					
SHEET 1 OF 1				STANDARD VERSION	3/12
DRAWING NUMBER				PG1730BA30	