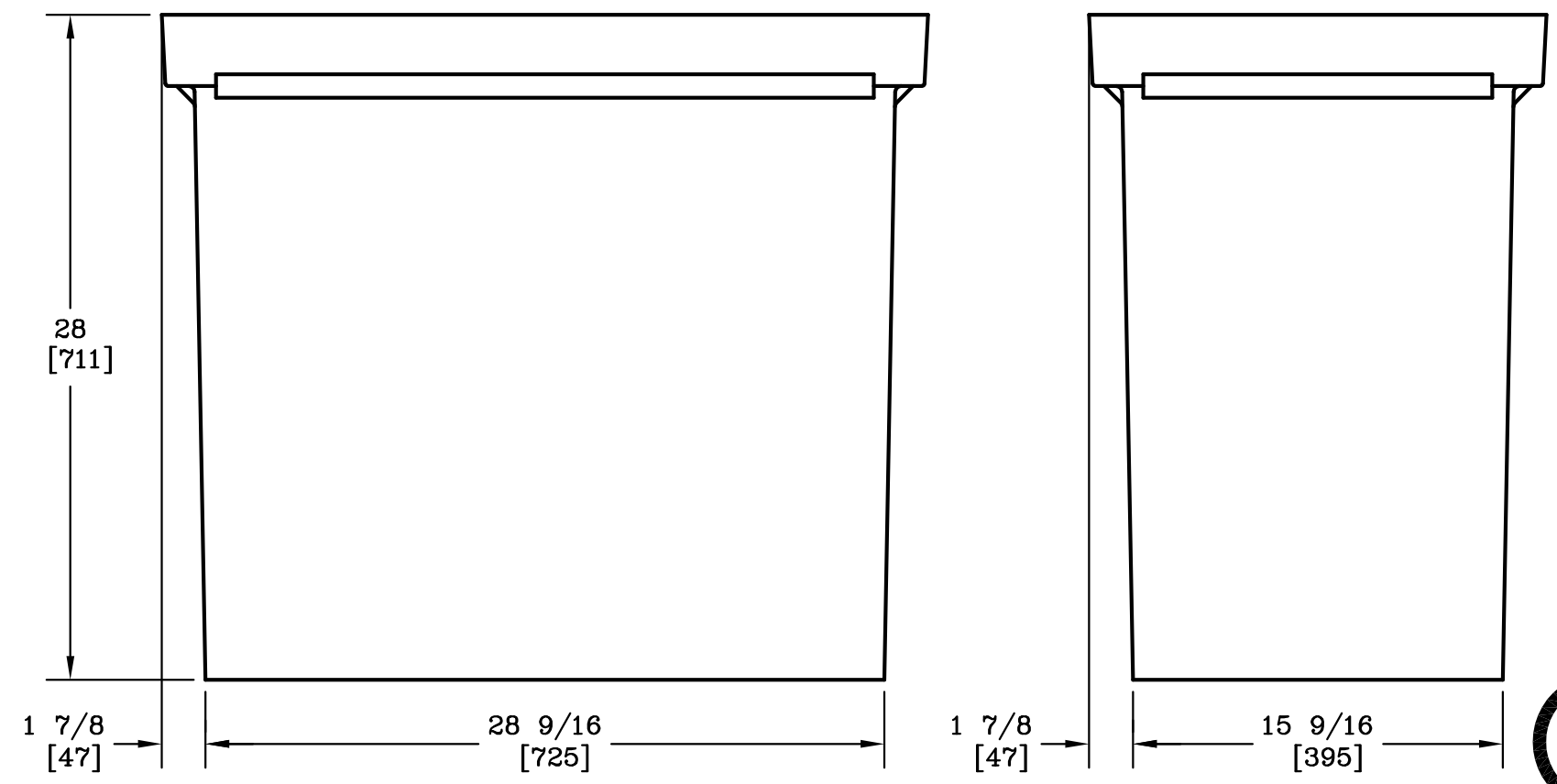



SECTION A-A



NOTE:

1. DIMENSIONS IN BRACKETS ARE IN MILLIMETERS UNLESS NOTED OTHERWISE.



| | | | | | | |
|---|-----|---------|--------------|---|---------------------|------|
| DIMENSIONS ARE IN INCHES OR MILLIMETERS IN BRACKETS UNLESS OTHERWISE NOTED. | | | |  3621 INDUSTRIAL PARK DR LENOIR CITY, TN 37771 800-346-3062 www.quazite.com | LOC | |
| DRN | BY | DATE | WEIGHT | | DRAWING DESCRIPTION | S |
| CHK | FF | 7/1/98 | 112# 51kg | QUAZITE® BOX | | REV |
| ENG | FF | 7/8/98 | SCALE | | | B |
| APR | MEP | 7/8/98 | 1 1/2"=1' | | | 3/12 |
| APR | EMJ | 7/18/98 | SIZE | | | |
| PROJECT NUMBER | | | | | DRAWING NUMBER | |
| SHEET 1 OF 1 | | | | | PG1730BA28 | |