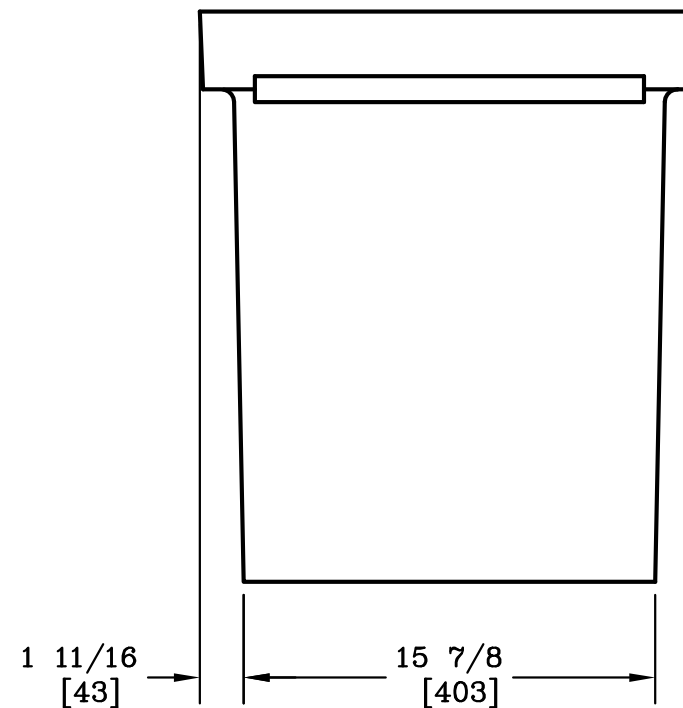
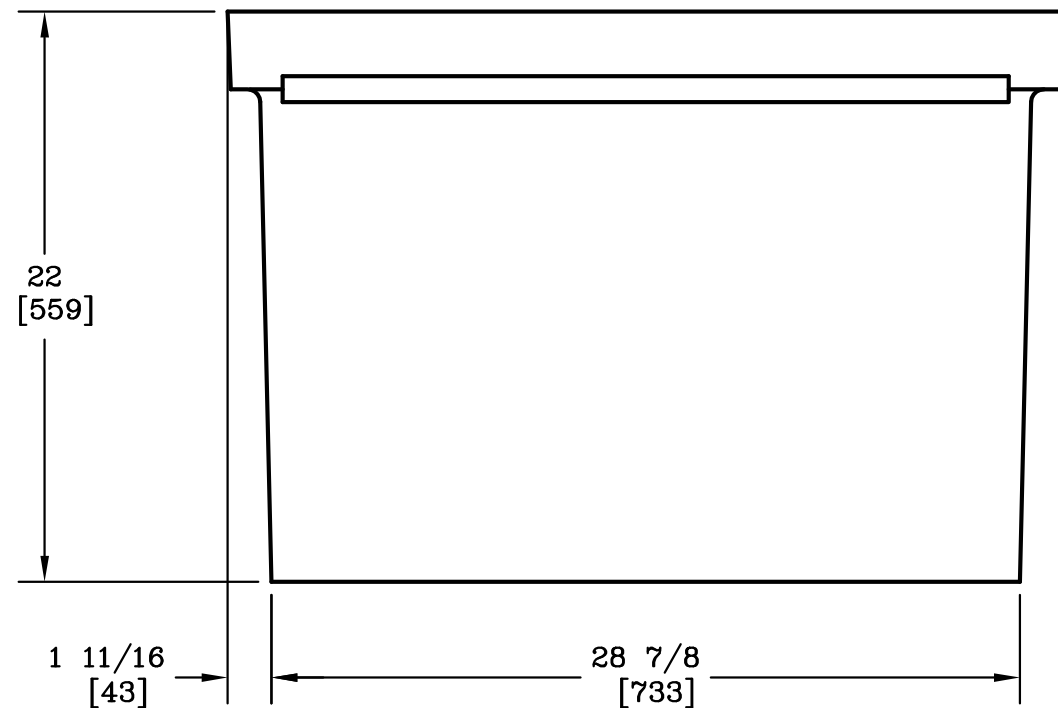


SECTION A-A


3/8-7 SELF ALIGNING,
REPLACEABLE S.S. EZ-NUT
2 PLACES



NOTE:

1. DIMENSIONS IN BRACKETS ARE IN MILLIMETERS UNLESS NOTED OTHERWISE.



DIMENSIONS ARE IN INCHES OR MILLIMETERS IN BRACKETS UNLESS OTHERWISE NOTED.						
DRN	BY	DATE	WEIGHT	 3621 INDUSTRIAL PARK DR LENOIR CITY, TN 37771 800-346-3062 www.quazite.com	LOC	
			102# 46kg		S	
CHK	WRJ	8/17/93	SCALE	DRAWING DESCRIPTION	REV	
ENG	MS	8/18/93	1 1/2"=1'		D	
APR	M&F	8/18/93	SIZE			
APR	JMS	8/18/93	B		3/12	
PROJECT NUMBER					DRAWING NUMBER	
93490					PG1730BA22	
SHEET 1 OF 1						

QUAZITE® BOX