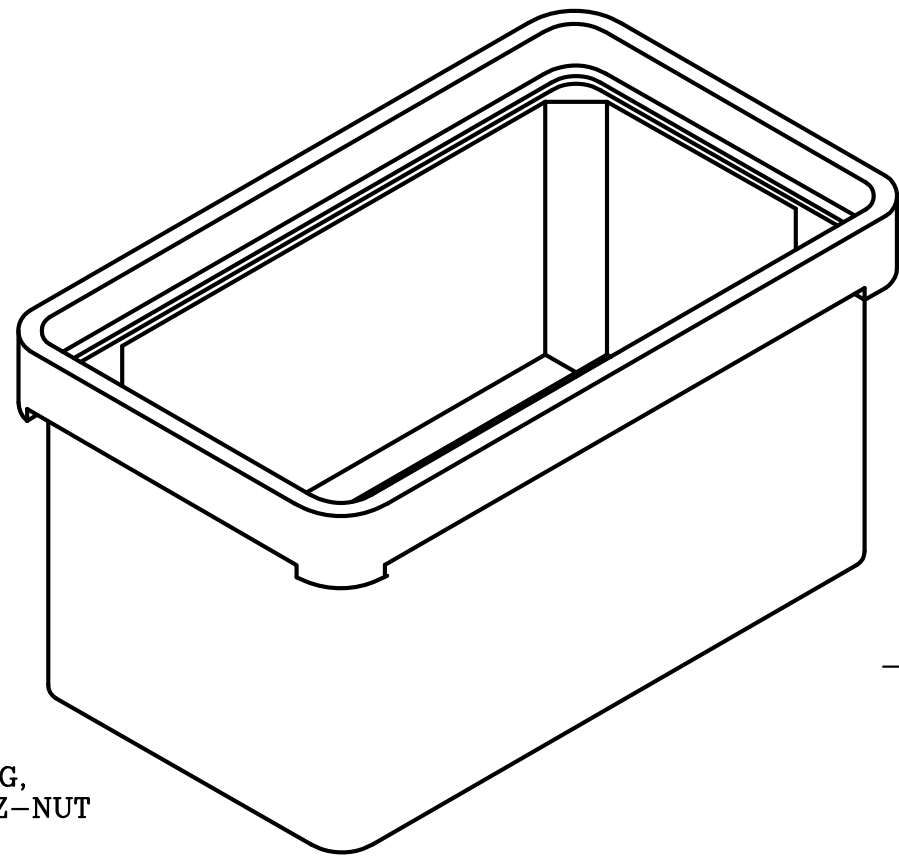
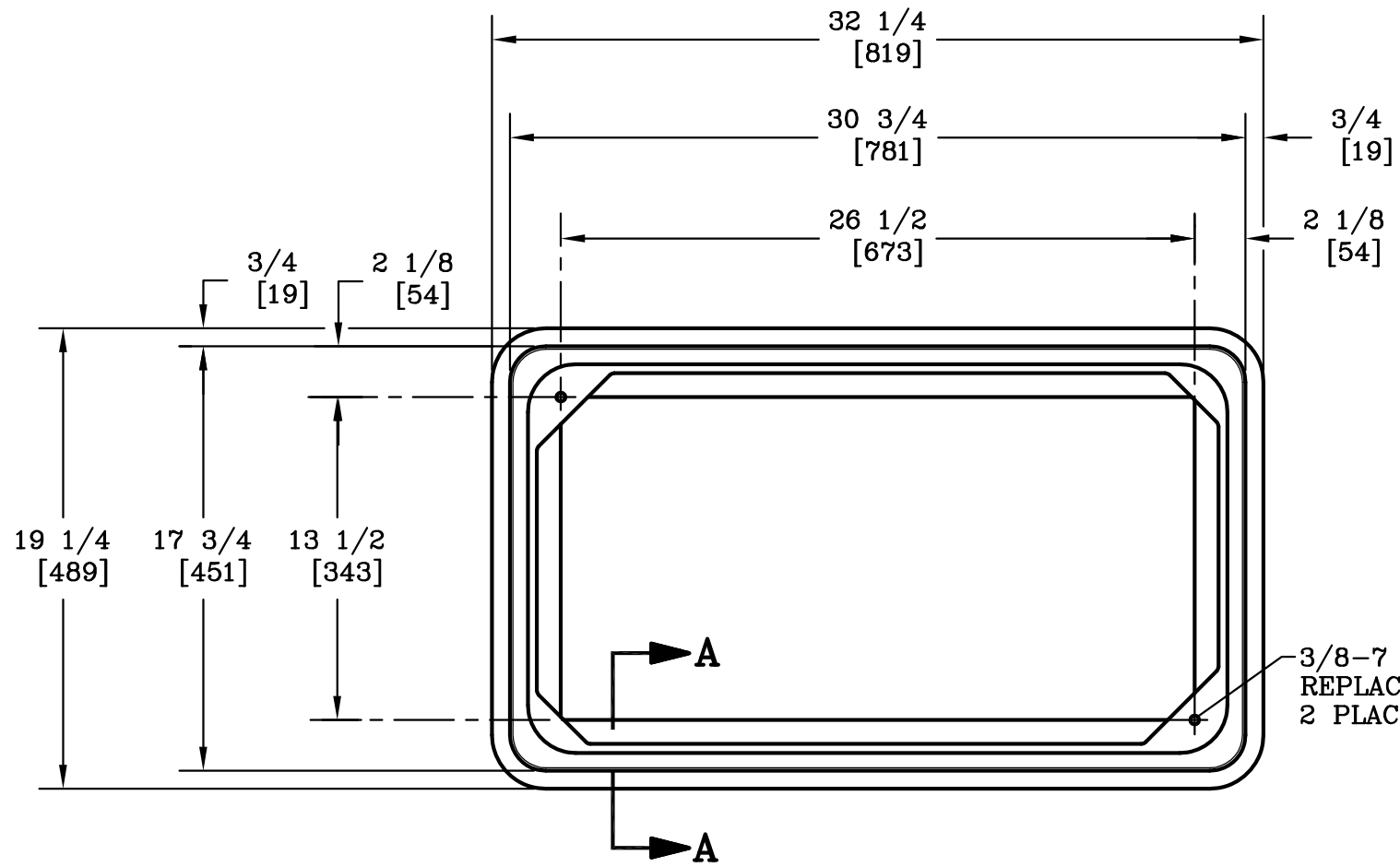
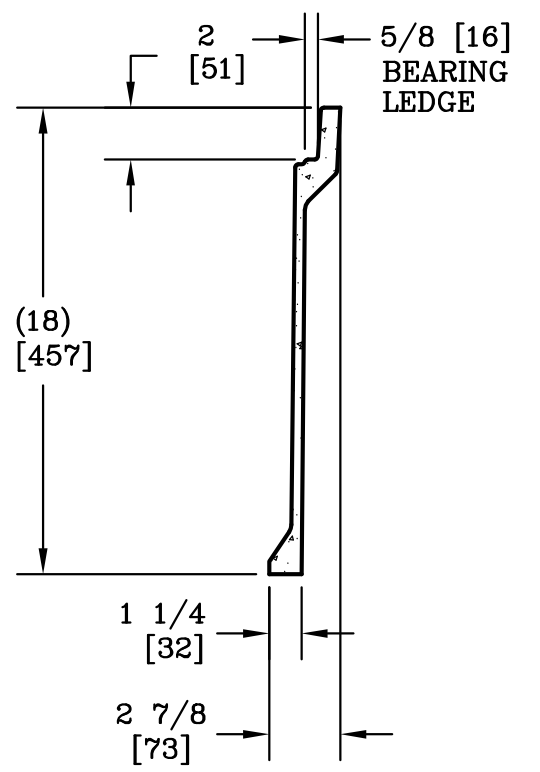


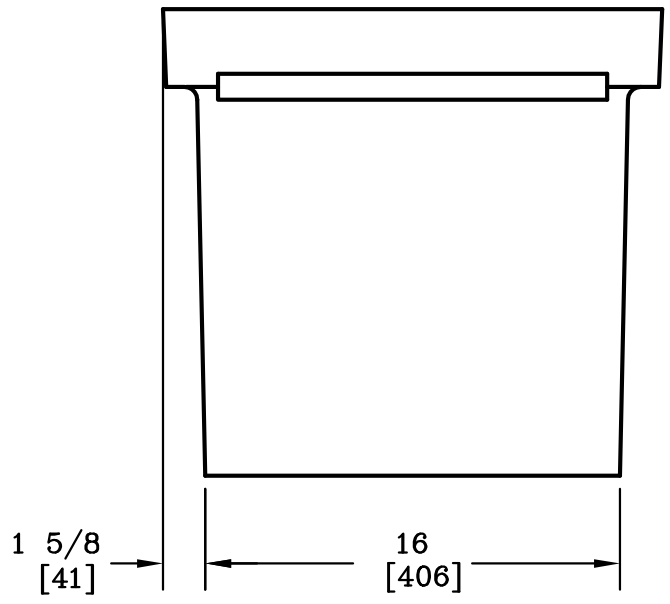
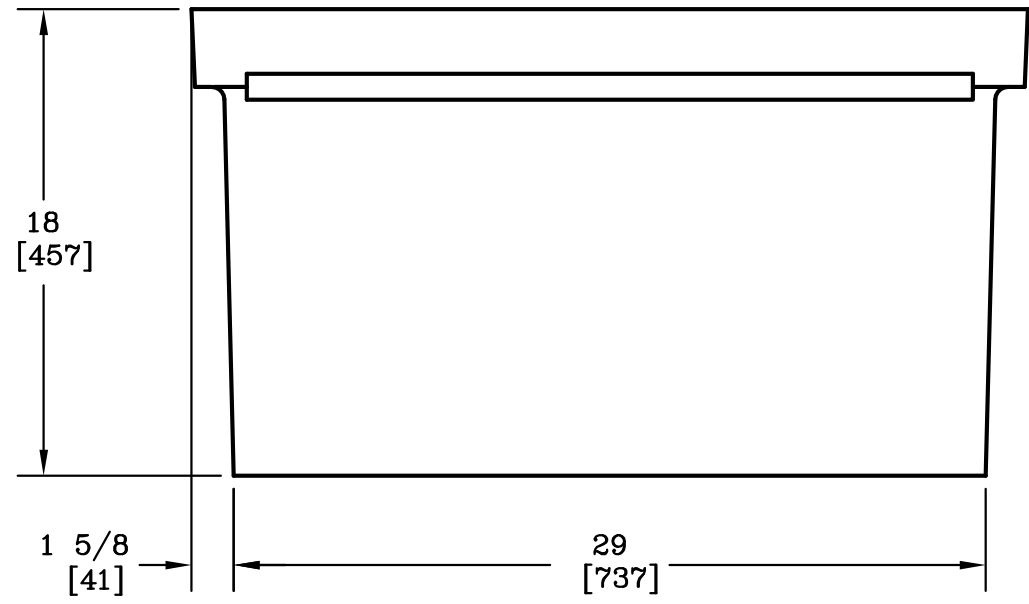
CUSTOMER APPROVAL
 APPROVED BY: _____
 DATE: _____



3/8-7 SELF ALIGNING,
 REPLACEABLE S.S. EZ-NUT
 2 PLACES



SECTION A-A



NOTE:
 1. THIS BOX IS RATED FOR
 ANSI/SCTE 77 2010 TIER 22.



DIMENSIONS ARE IN INCHES OR MILLIMETERS IN BRACKETS UNLESS OTHERWISE NOTED.					
DRN	BY	DATE	WEIGHT	3621 INDUSTRIAL PARK DR LENOIR CITY, TN 37771 800-346-3062 www.quazite.com	LOC
CHK	ENG	APR	87# 39kg		S
APR	APR	APR	SCALE	DRAWING DESCRIPTION QUAZITE[®] BOX 17 X 30 X 18	REV
			1 1/2"=1'		I
			SIZE		3/12
PROJECT NUMBER					DRAWING NUMBER
87574					PG1730BA18
SHEET 1 OF 1					