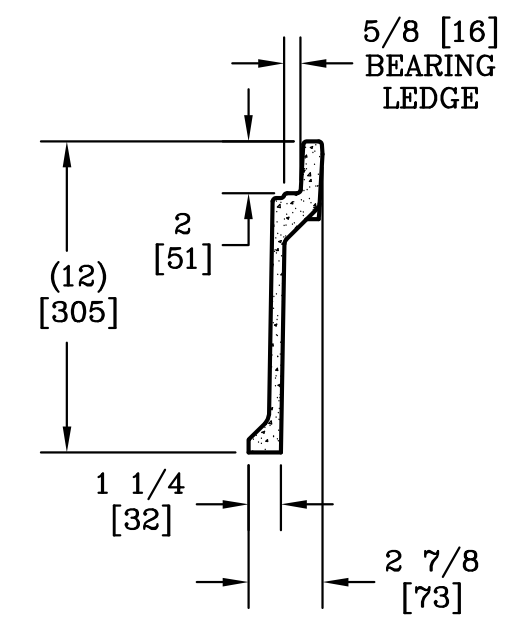
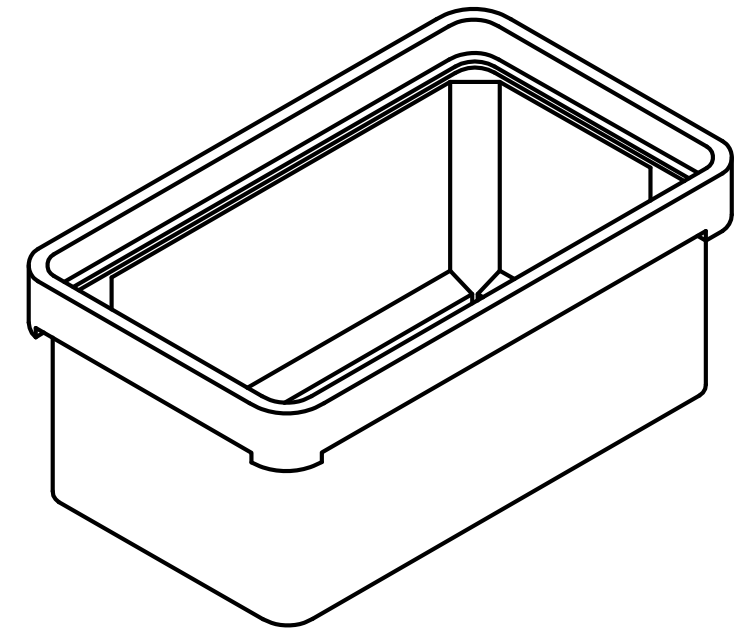
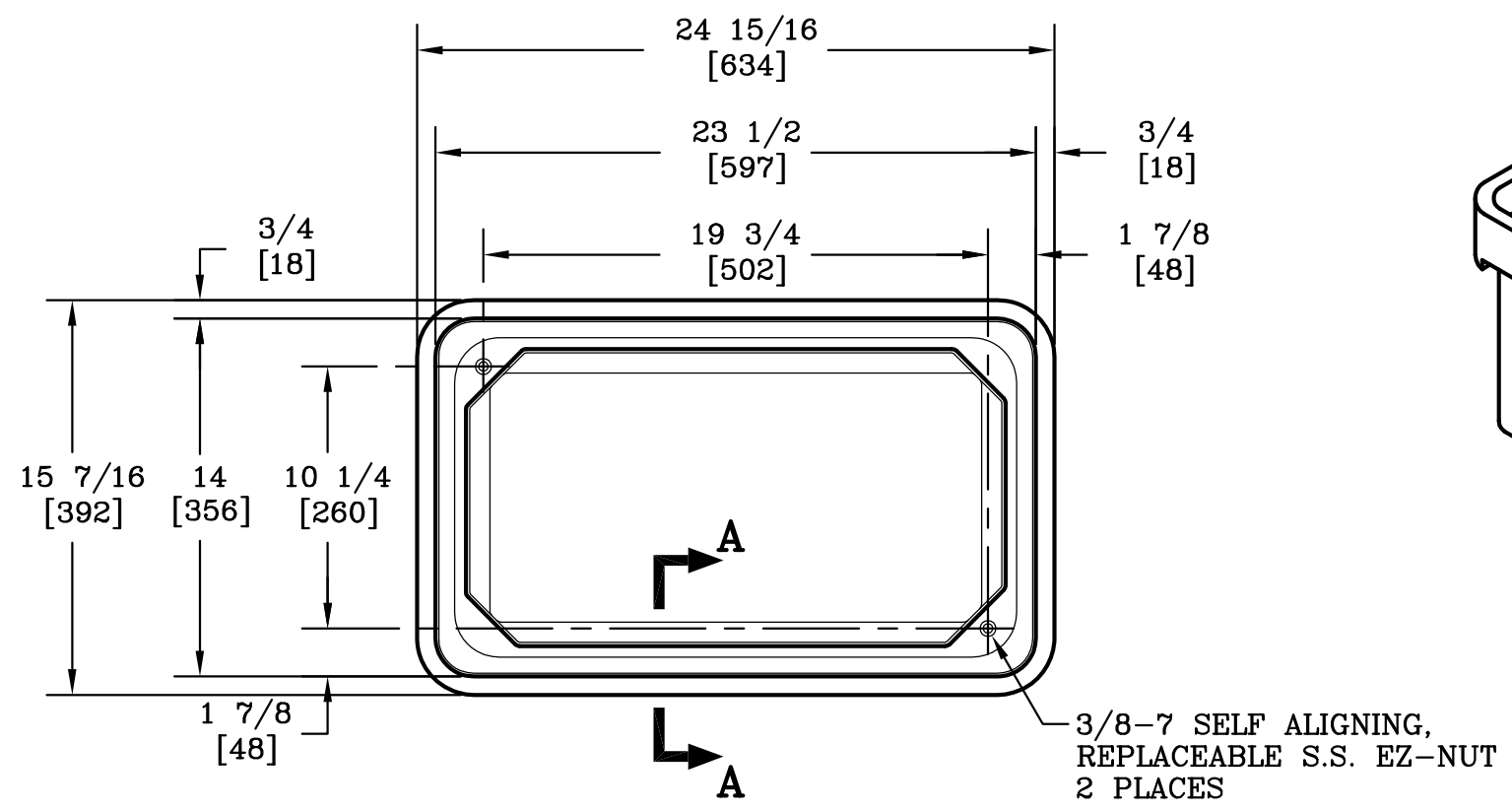
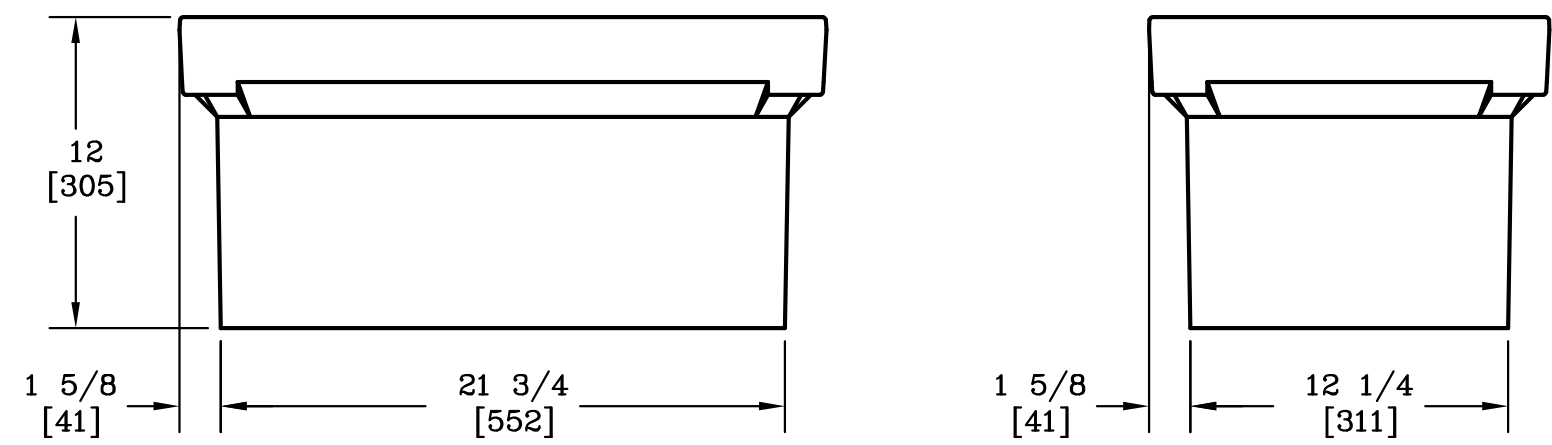


CUSTOMER APPROVAL
 APPROVED BY: _____
 DATE: _____




SECTION A-A



NOTE:
 1. THIS BOX IS RATED FOR ANSI/SCTE 77 2010 TIER 22.



DIMENSIONS ARE IN INCHES OR MILLIMETERS IN BRACKETS UNLESS OTHERWISE NOTED.					
DRN	BY	DATE	WEIGHT	 3621 INDUSTRIAL PARK DR LENOIR CITY, TN 37771 800-346-3062 www.quazite.com	LOC
			51# 23kg		LC
CHK	M&F	12/15/89	SCALE	DRAWING DESCRIPTION QUAZITE® BOX 13 X 24 X 12	REV
ENG	MS	12/15/89	1 1/2"=1'		F
APR	FMS	12/15/89	SIZE		
APR	VJB	12/15/89	B		3/12
PROJECT NUMBER			DRAWING NUMBER		
89346			PG1324BA12		
SHEET 1 OF 1					