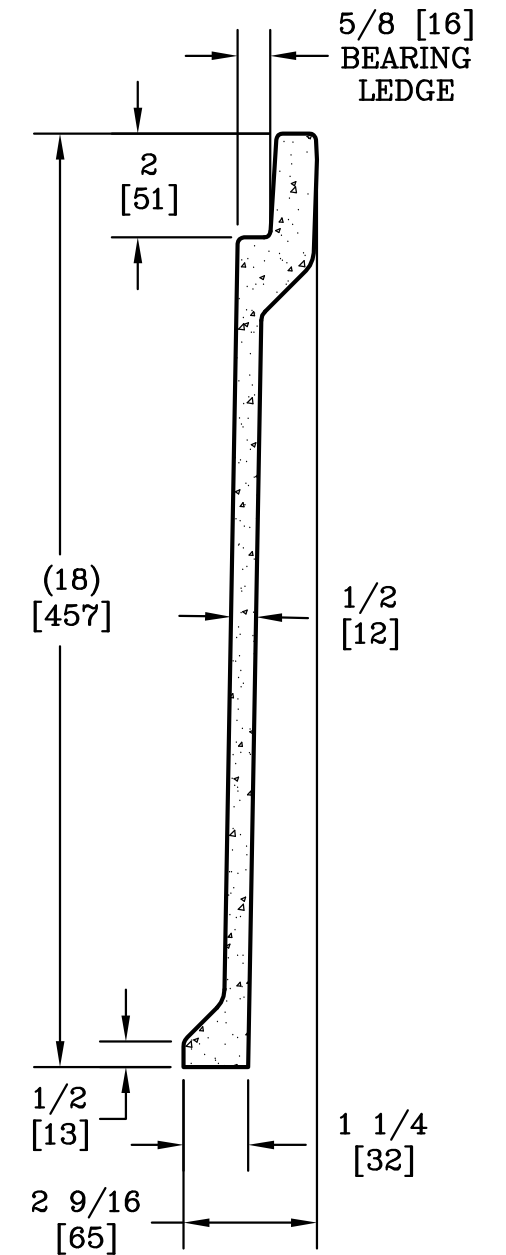
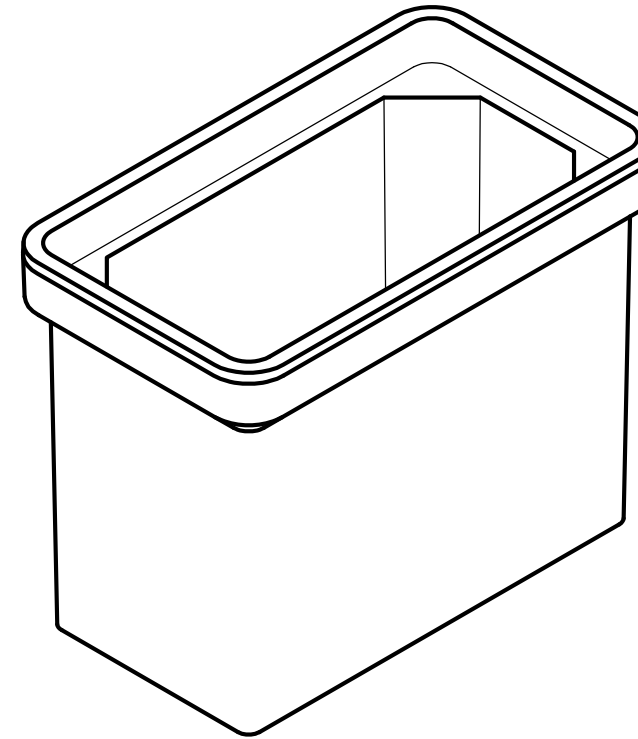
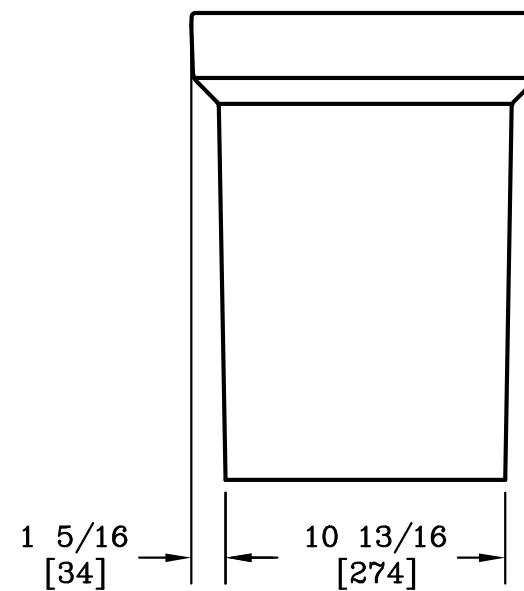
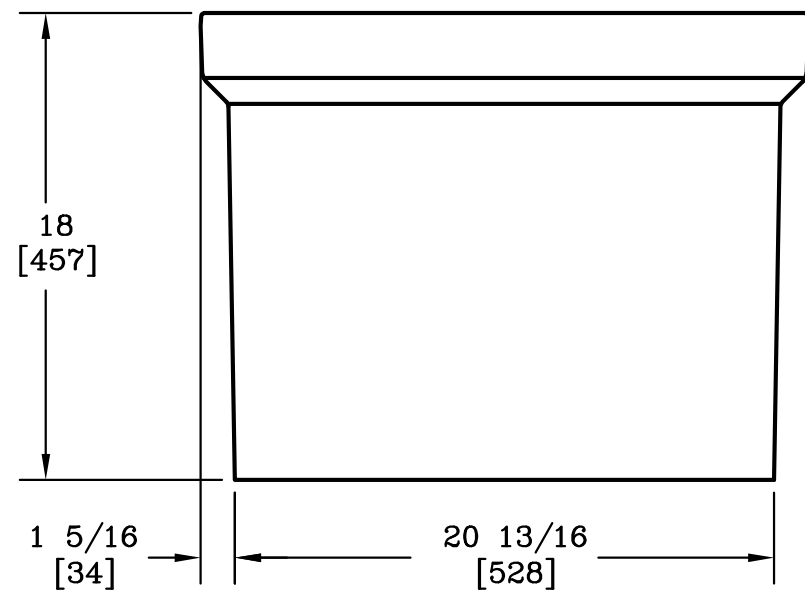


3/8-7 UNC SELF ALIGNING,  
REPLACEABLE S.S. EZ-NUT  
2 PLACES




**SECTION A-A**  
SCALE: 3"=1'



**NOTE:**

1. THIS BOX IS RATED FOR ANSI/SCTE 77 2007 TIER 22.

DIMENSIONS ARE IN INCHES OR MILLIMETERS IN BRACKETS UNLESS OTHERWISE NOTED.						
DRN	BY	DATE	WEIGHT	 3621 INDUSTRIAL PARK DR LENOIR CITY, TN 37771 800-346-3062 www.quazite.com	LOC	
CHK	ENG	APR	69# 31kg		LC	
APR	APR		SCALE	DRAWING DESCRIPTION	REV	
			1 1/2"=1'		QUAZITE® 11 X 20 X 18 BOX	<b>B</b>
PROJECT NUMBER				SIZE	STANDARD VERSION	01/13
<b>103924</b>				B		
SHEET 1 OF 1				DRAWING NUMBER		
				<b>PG1120BA18</b>		