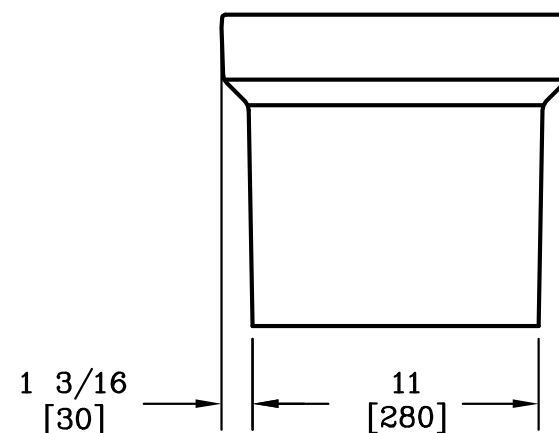
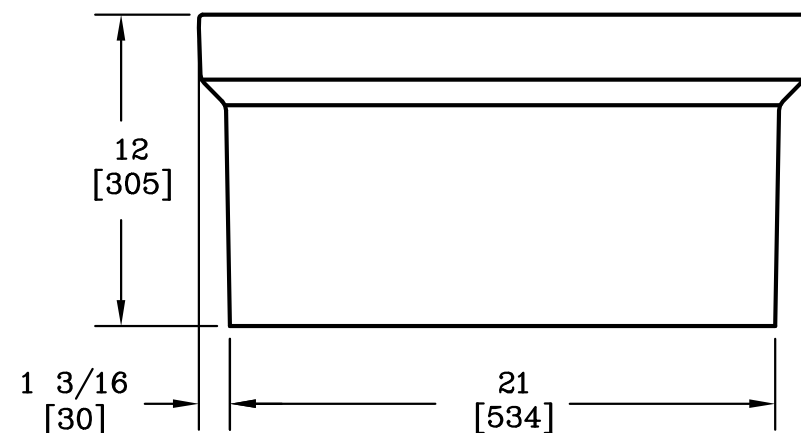



**SECTION A-A**  
 SCALE: 3"=1'



DIMENSIONS ARE IN INCHES OR MILLIMETERS IN BRACKETS UNLESS OTHERWISE NOTED.						
DRN	BY	DATE	WEIGHT	 3621 INDUSTRIAL PARK DR LENOIR CITY, TN 37771 800-346-3062 www.quazite.com	LOC	
CHK	ENG	APR	50# 23kg		LC	
APR			SCALE	DRAWING DESCRIPTION <b>QUAZITE® BOX</b>  STANDARD VERSION	REV	
APR			1 1/2"=1'		<b>B</b>	
PROJECT NUMBER					DRAWING NUMBER	
<b>091112</b>					PG1120BA12	
SHEET 1 OF 1						