

# AP243636P

ITEM	PART NO.	WT.
ASSEMBLY	AP243636P	377 LBS
PALLET QTY	4	1582 LBS
LID	CP2436B	124 LBS
ENCLOSURE	BP243636B	253 LBS

**PART DESCRIPTION:**

24" x 36" x 36"  
 POLYMER CONCRETE ASSEMBLY  
 STRAIGHT WALL, OPEN BOTTOM

**LOAD RATING:**

- TIER 15
- TIER 22

**BOLT DOWN:**

- HEX HEAD (STANDARD)
- PENTA HEAD

**LOGO OPTIONS:**

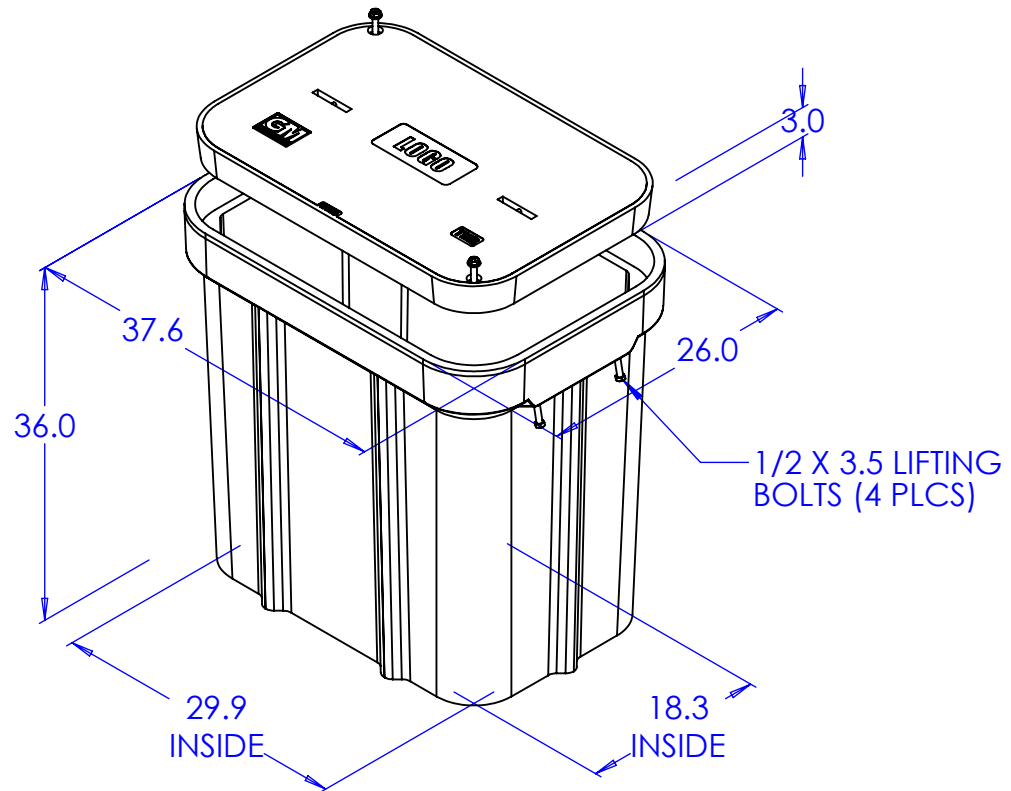
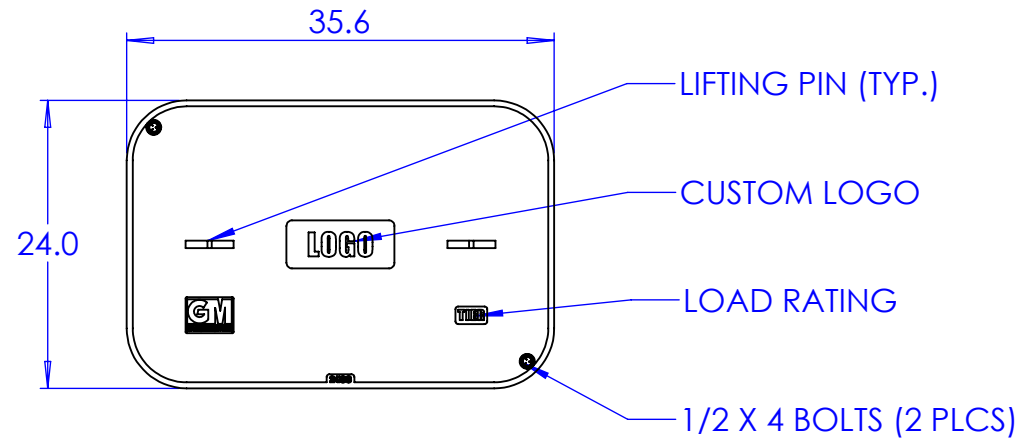
- ELECTRIC
- COMMUNICATIONS
- FIBER OPTICS
- BLANK
- WATER
- LIGHTING
- STREET LIGHTING
- CAVITY (LOGO SOLD SEPARATELY)

\*OTHER OPTIONS AVAILABLE (CONTACT FACTORY)

**AVAILABLE OPTIONS:**

- EMS MARKER, POWER
- EMS MARKER, TELEPHONE
- MOUSEHOLES
- CABLE RACKING (LOC. & QTY. REQ'D.)
- PULLING EYES

\*OTHER OPTIONS AVAILABLE (CONTACT FACTORY)



GLASMASTERS, INC.  
 8873 WESTERN WAY, JAX., FL 32256  
 (904) 400-7100 - (904) 358-1702 FAX  
 WWW.GLASMASTERS.COM