

AP173018P

ITEM	PART NO.	WT.
ASSEMBLY	AP173018P	187 LBS
PALLET QTY	12	2323 LBS
LID	CP1730B	81 LBS
ENCLOSURE	BP173018B	106 LBS

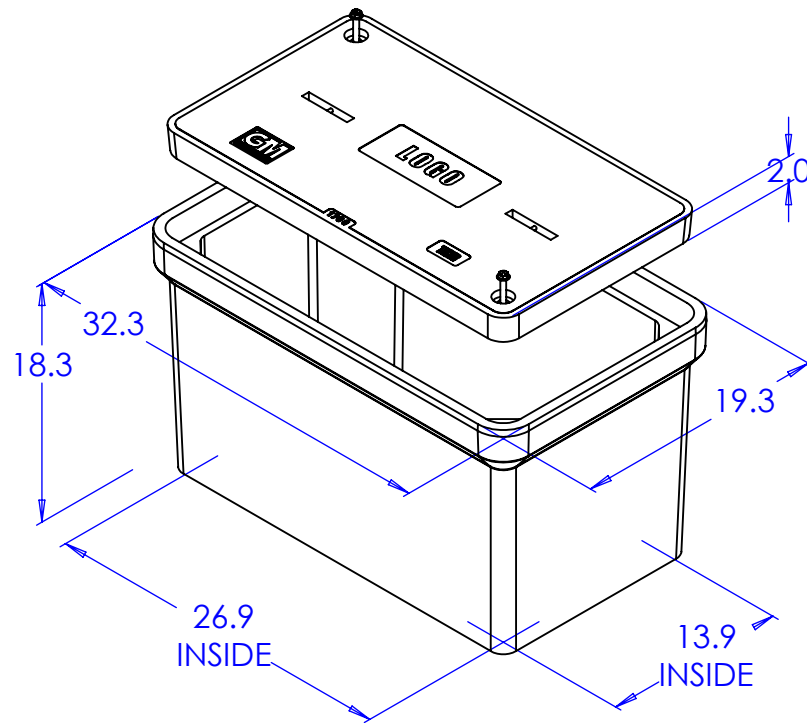
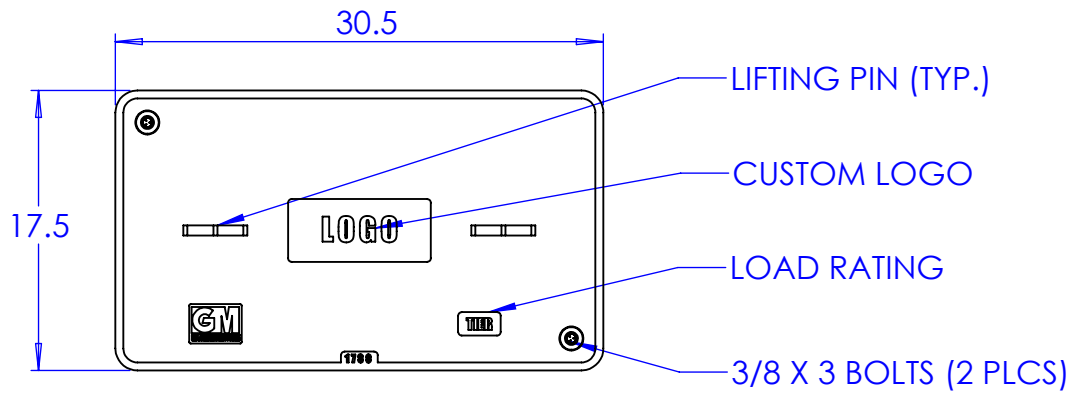
PART DESCRIPTION:
 17" x 30" x 18"
 POLYMER CONCRETE ASSEMBLY
 STRAIGHT WALL, OPEN BOTTOM

LOAD RATING:
 TIER 15
 TIER 22

BOLT DOWN:
 HEX HEAD (STANDARD)
 PENTA HEAD

LOGO OPTIONS:
 ELECTRIC
 COMMUNICATIONS
 FIBER OPTICS
 BLANK
 WATER
 LIGHTING
 STREET LIGHTING
 CAVITY (LOGO SOLD SEPARATELY)
 *OTHER OPTIONS AVAILABLE (CONTACT FACTORY)

AVAILABLE OPTIONS:
 EMS MARKER, POWER
 EMS MARKER, TELEPHONE
 MOUSEHOLES
 CABLE RACKING (LOC. & QTY. REQ'D.)
 PULLING EYES
 *OTHER OPTIONS AVAILABLE (CONTACT FACTORY)



GLASMASTERS, INC.
 8873 WESTERN WAY, JAX., FL 32256
 (904) 400-7100 - (904) 358-1702 FAX
 WWW.GLASMASTERS.COM