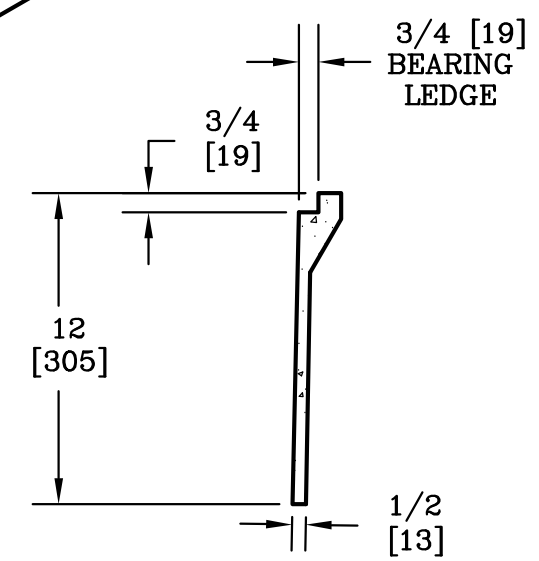
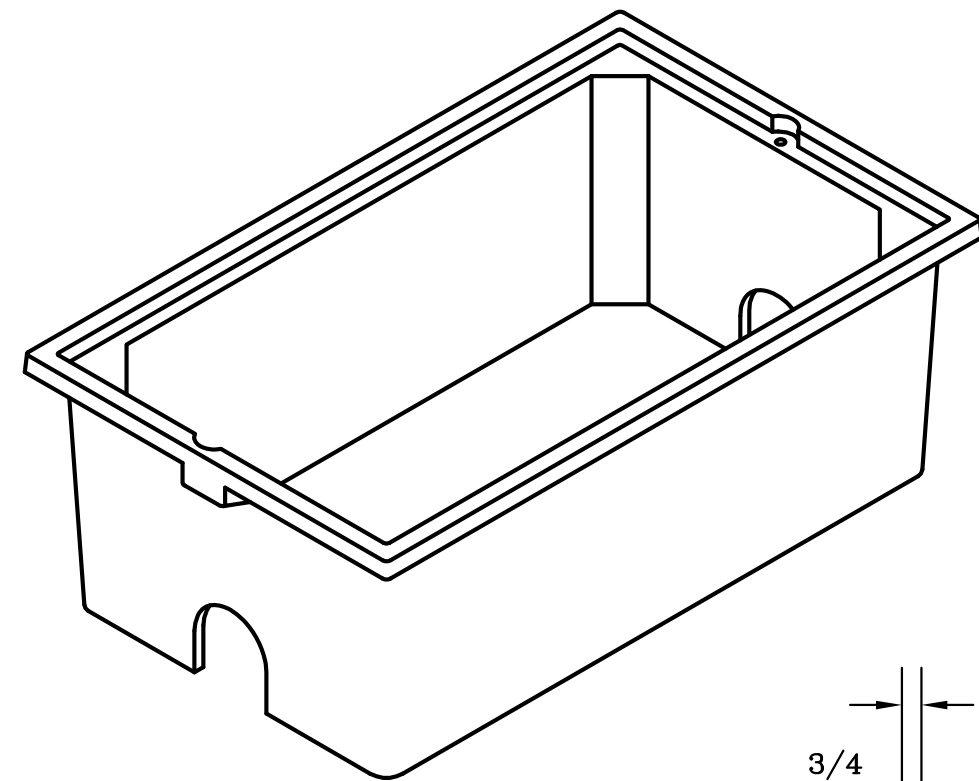
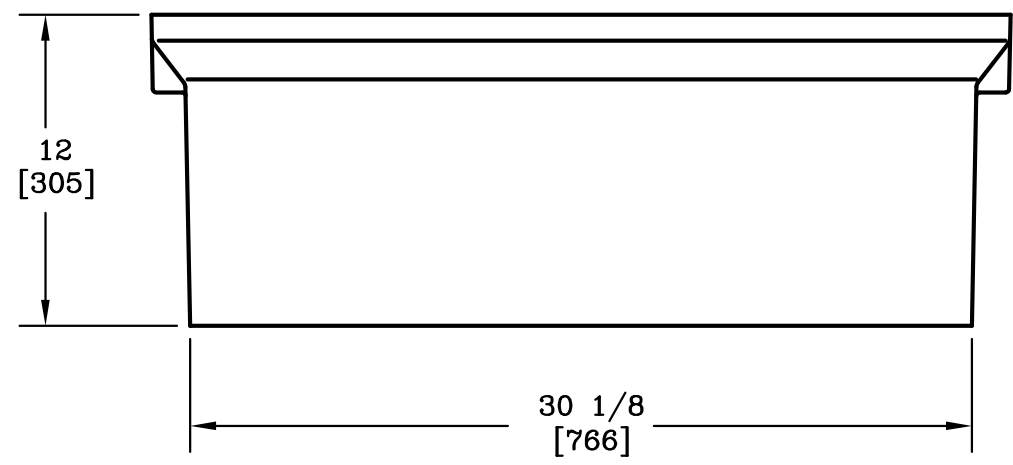


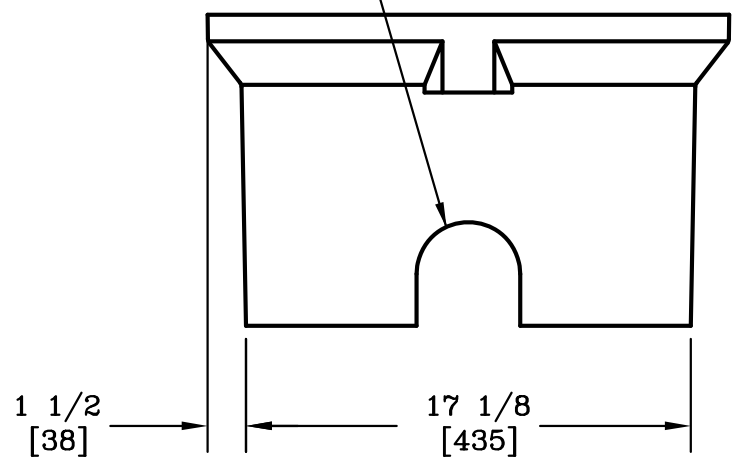
3/8-7 SELF ALIGNING,  
REPLACEABLE S.S.  
EZ-NUT  
2 PLACES



**SECTION A-A**



2X 4 [102] X 4 [102] MOUSEHOLE  
(1 CENTERED EACH END)



**NOTE:**

1. DIMENSIONS IN BRACKETS ARE IN MILLIMETERS UNLESS NOTED OTHERWISE.



DIMENSIONS ARE IN INCHES OR MILLIMETERS IN BRACKETS UNLESS OTHERWISE NOTED.						
DRN	BY	DATE	WEIGHT		3621 INDUSTRIAL PARK DR LENOIR CITY, TN 37771 800-346-3062 www.quazite.com	LOC
CHK			56# 25kg			S
ENG			SCALE	DRAWING DESCRIPTION		REV
APR			1 1/2"=1'			H
APR			SIZE			3/12
PROJECT NUMBER			B	<b>QUAZITE<sup>®</sup> BOX WITH MOUSEHOLES</b>		DRAWING NUMBER
90044						PC1730BB12
SHEET 1 OF 1						