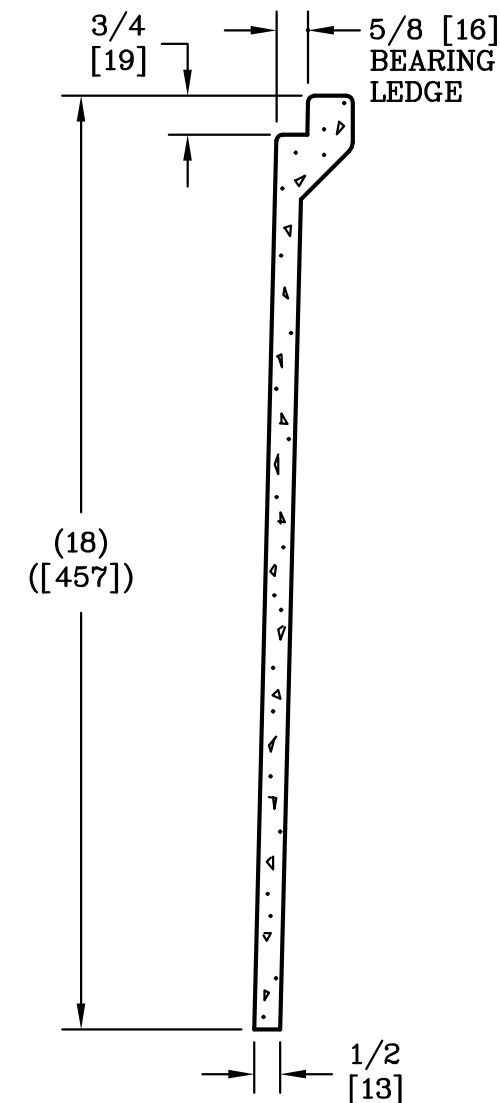
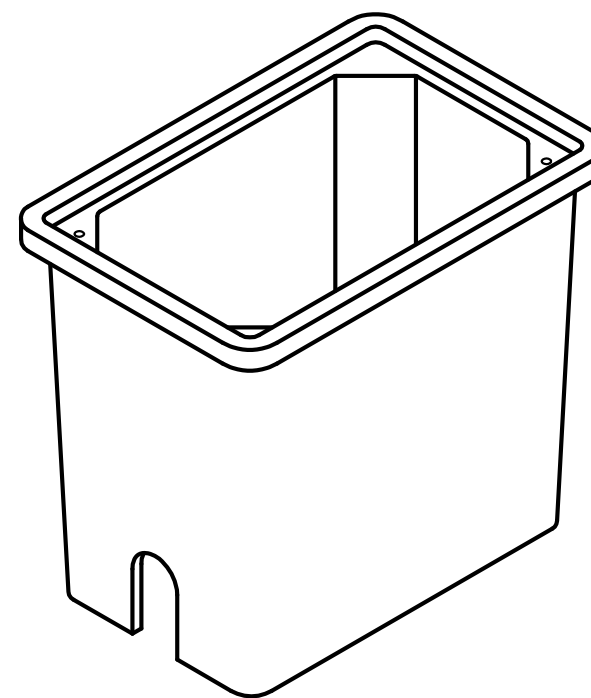
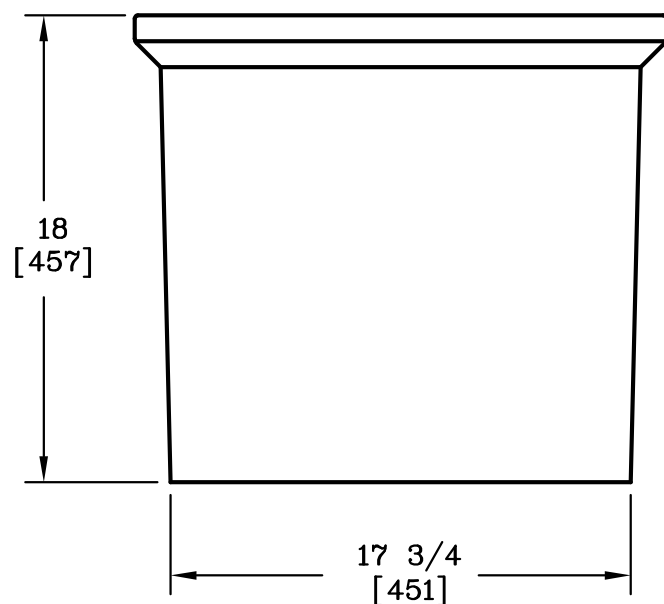


3/8-7 SELF ALIGNING,  
REPLACEABLE S.S. EZ-NUT  
2 PLACES


2X 2 1/2 [64] X  
4 [102] MOUSEHOLE  
(1 CENTERED EACH END)



**SECTION A-A**  
SCALE 3"=1'

**NOTE:**

1. DIMENSIONS IN BRACKETS ARE IN MILLIMETERS UNLESS OTHERWISE NOTED.

DIMENSIONS ARE IN INCHES OR MILLIMETERS IN BRACKETS UNLESS OTHERWISE NOTED.						
DRN	BY	DATE	WEIGHT	 3621 INDUSTRIAL PARK DR LENOIR CITY, TN 37771 800-346-3062 www.quazite.com	LOC	
			55# 25kg			S
CHK	M&F	2/19/90	SCALE	<b>QUAZITE® BOX</b>	REV	
ENG	CMB	2/19/90	1 1/2"=1'			K
APR	FMP	2/26/90	SIZE			3/12
APR			B			
PROJECT NUMBER				DRAWING NUMBER		
90079				PC1118BB18		
SHEET 1 OF 1						

