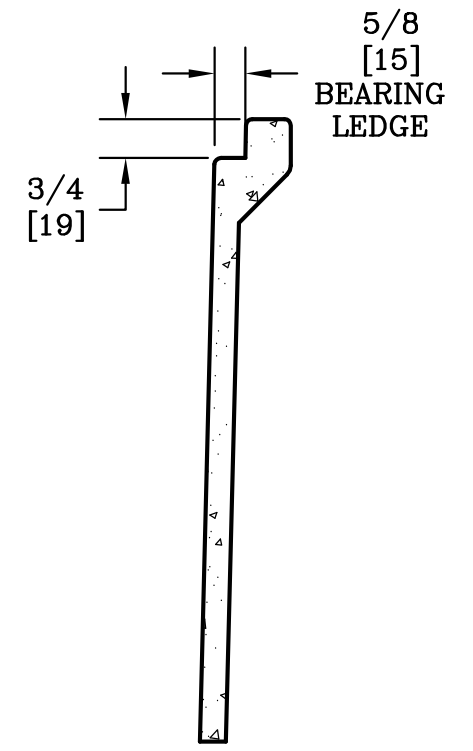
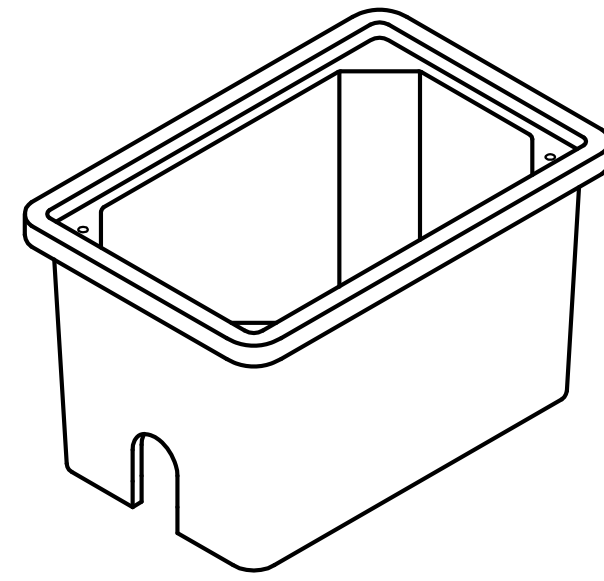
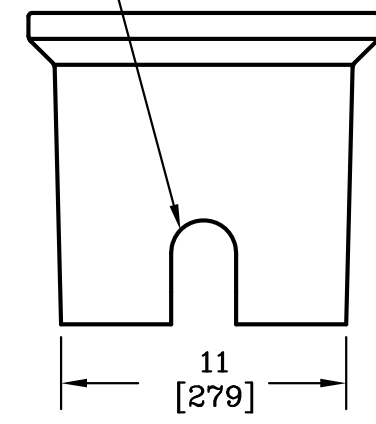
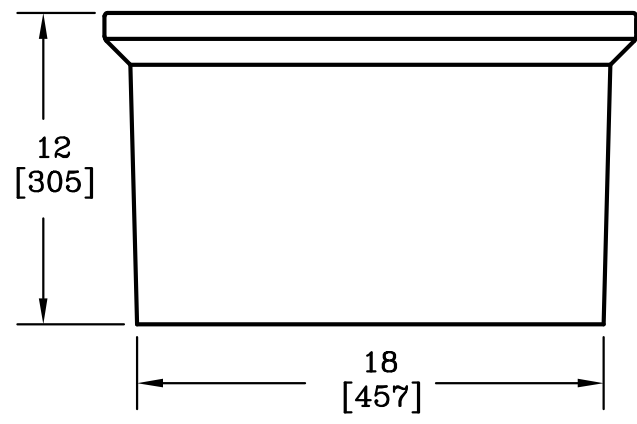


3/8-7 SELF ALIGNING,
REPLACEABLE S.S. EZ-NUT
2 PLACES




SECTION A-A
SCALE: 3"=1'

2X 2 1/2 [64] X 4 [102]
MOUSEHOLE
(1 CENTERED EACH END)



NOTE:
1. DIMENSIONS IN BRACKETS ARE IN MILLIMETERS UNLESS OTHERWISE NOTED.



DIMENSIONS ARE IN INCHES OR MILLIMETERS IN BRACKETS UNLESS OTHERWISE NOTED.						
DRN	BY	DATE	WEIGHT		3621 INDUSTRIAL PARK DR LENOIR CITY, TN 37771 800-346-3062 www.quazite.com	LOC
CHK	ENG	APR	APR			SCALE
						REV
						H
						3/12
PROJECT NUMBER				DRAWING DESCRIPTION		
90073				QUAZITE® BOX		
SHEET 1 OF 1				DRAWING NUMBER		
				PC1118BB12		