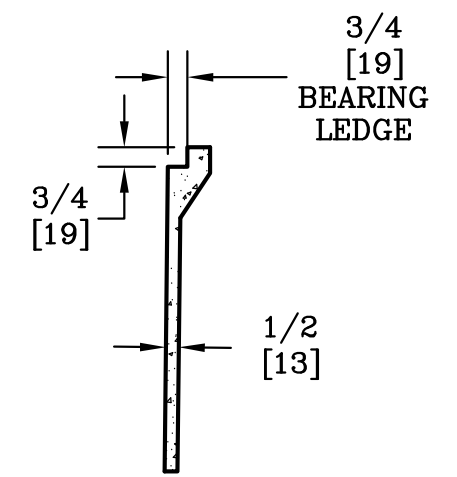
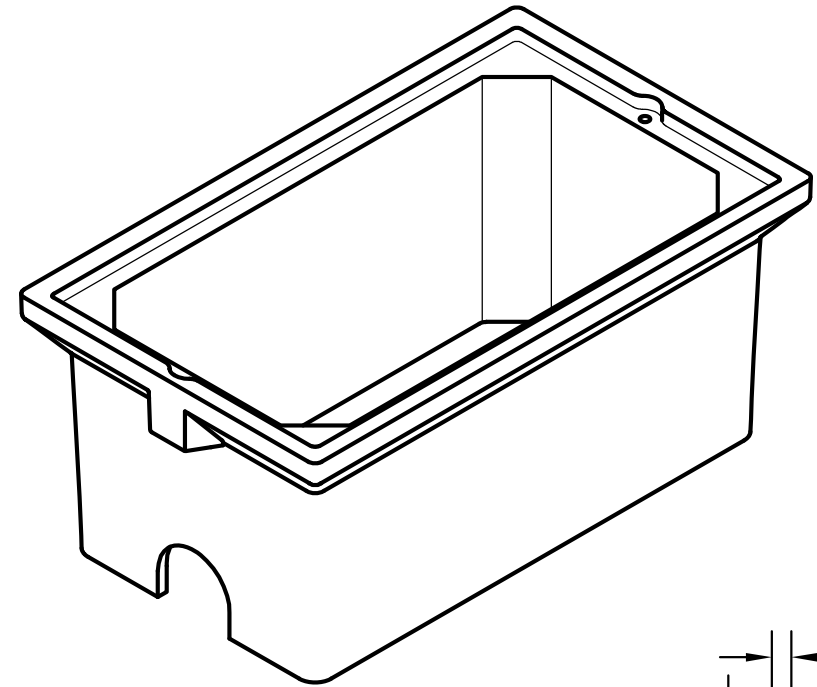
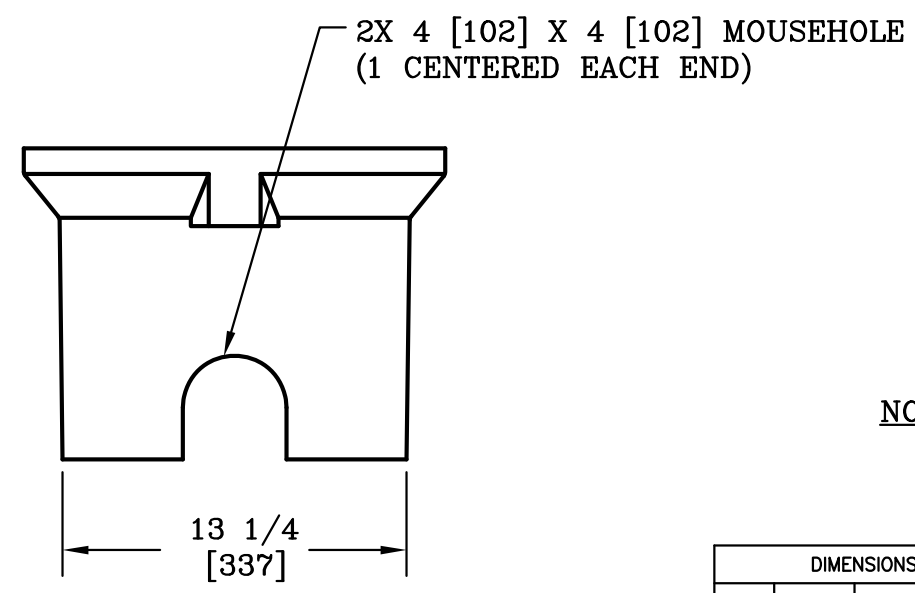
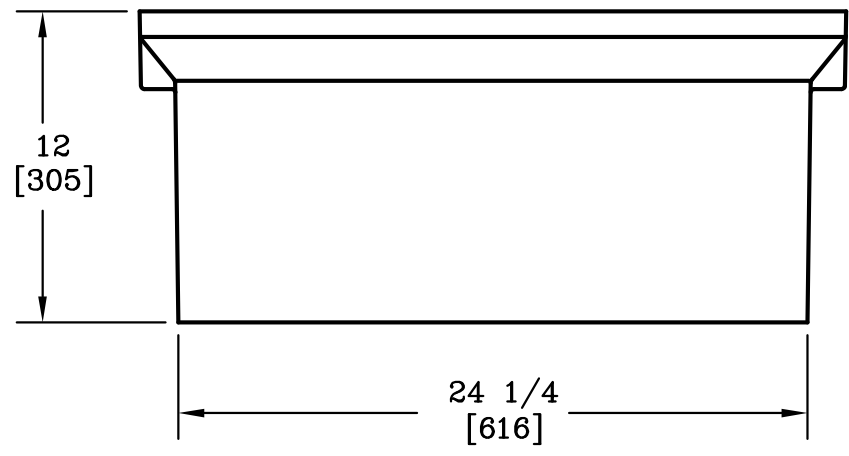


3/8-7 SELF ALIGNING,
REPLACEABLE S.S. EZ-NUT
2 PLACES




SECTION A-A



NOTE:

1. DIMENSIONS IN BRACKETS ARE IN MILLIMETERS UNLESS NOTED OTHERWISE.



DIMENSIONS ARE IN INCHES OR MILLIMETERS IN BRACKETS UNLESS OTHERWISE NOTED.						
DRN	BY	DATE	WEIGHT	 3621 INDUSTRIAL PARK DR LENOIR CITY, TN 37771 800-346-3062 www.quazite.com	LOC	
			51# 23kg			
CHK	WRJ	7/8/91	SCALE	DRAWING DESCRIPTION QUAZITE® BOX	S	
ENG	FPD	7/12/91	1 1/2"=1'		REV	
APR	M&F	7/8/91	SIZE			G
APR	VJB	7/12/91	B			3/12
PROJECT NUMBER			87255		DRAWING NUMBER	
					PC1324BB12	
				SHEET 1 OF 1		