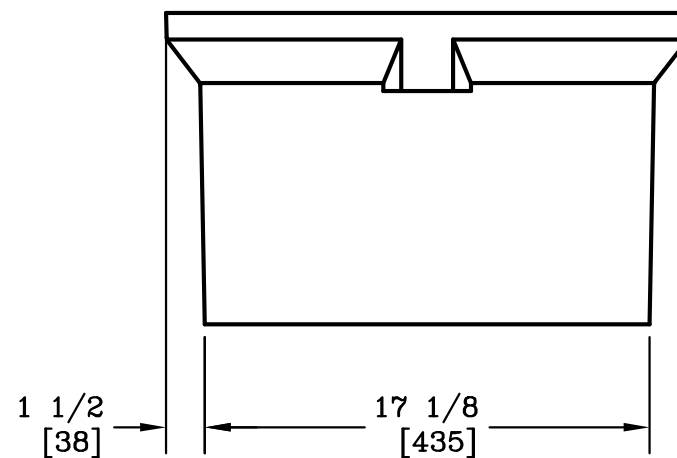
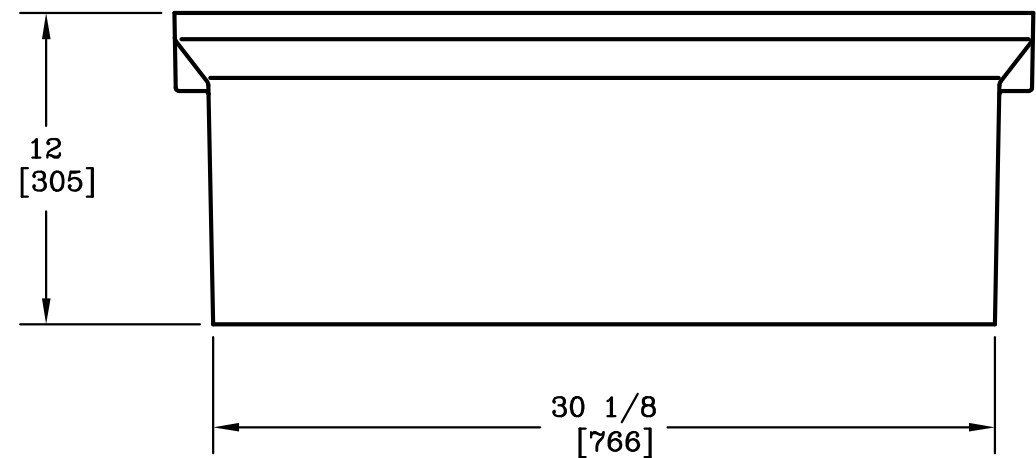



SECTION A-A



NOTE:

1. DIMENSIONS IN BRACKETS ARE IN MILLIMETERS UNLESS NOTED OTHERWISE.



DIMENSIONS ARE IN INCHES OR MILLIMETERS IN BRACKETS UNLESS OTHERWISE NOTED.					
DRN	BY	DATE	WEIGHT	 3621 INDUSTRIAL PARK DR LENOIR CITY, TN 37771 800-346-3062 www.quazite.com	LOC
CHK	ENG	APR	61# 28kg		S
APR	APR	APR	SCALE	DRAWING DESCRIPTION	REV
			1 1/2"=1'		B
			SIZE		3/12
PROJECT NUMBER					DRAWING NUMBER
04626					PC1730BG12
SHEET 1 OF 1					