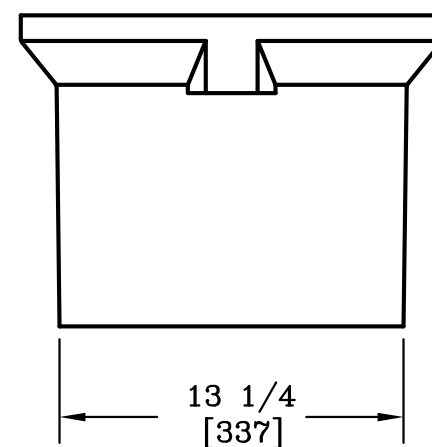
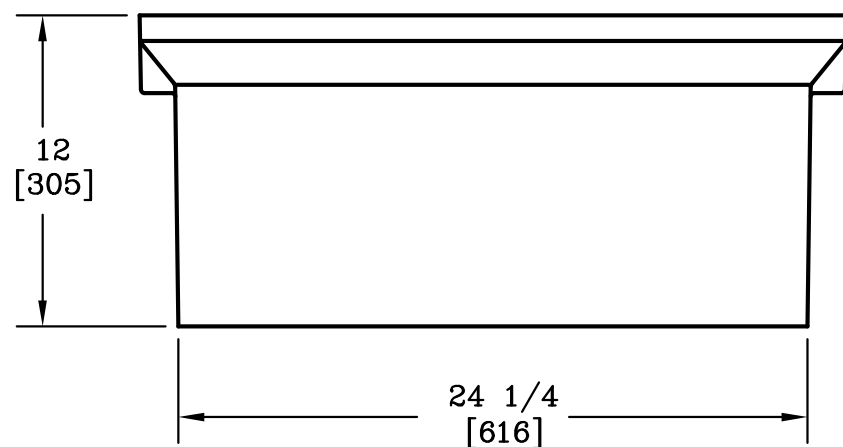



SECTION A-A



NOTE:

1. DIMENSIONS IN BRACKETS ARE IN MILLIMETERS UNLESS NOTED OTHERWISE.



DIMENSIONS ARE IN INCHES OR MILLIMETERS IN BRACKETS UNLESS OTHERWISE NOTED.					
DRN	BY	DATE	WEIGHT	 3621 INDUSTRIAL PARK DR LENOIR CITY, TN 37771 800-346-3062 www.quazite.com	LOC
			51# 23kg		
CHK	M&F	6/17/04	SCALE	DRAWING DESCRIPTION QUAZITE® BOX	S REV
ENG			1 1/2"=1'		C
APR			SIZE		3/12
APR			B		
PROJECT NUMBER			DRAWING NUMBER		
04621			PC1324BG12		
SHEET 1 OF 1					