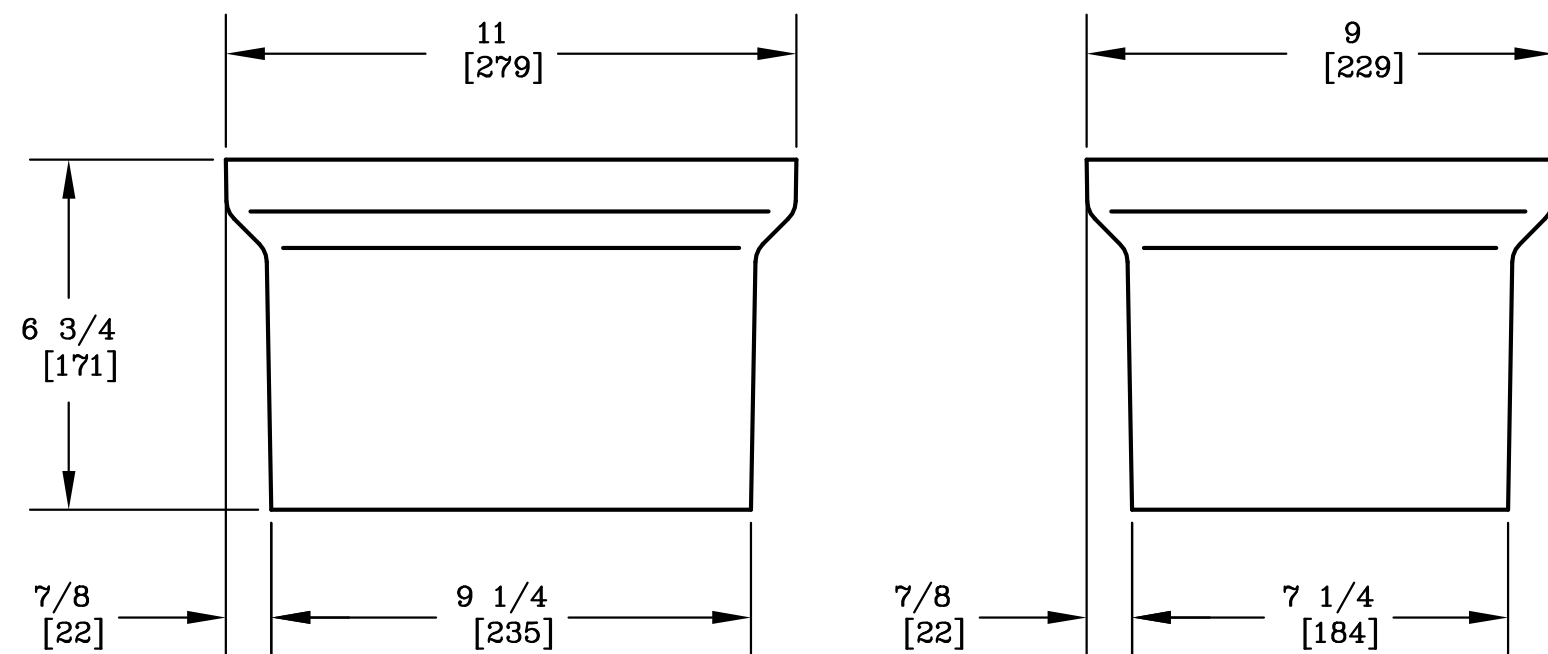



**SECTION A-A**  
SCALE: HALF



**NOTE:**

1. DIMENSIONS IN BRACKETS ARE IN MILLIMETERS UNLESS NOTED OTHERWISE.

DIMENSIONS ARE IN INCHES OR MILLIMETERS IN BRACKETS UNLESS OTHERWISE NOTED.						
DRN	BY	DATE	WEIGHT	 3621 INDUSTRIAL PARK DR LENOIR CITY, TN 37771 800-346-3062 www.quazite.com	LOC	
			12# 5kg			
CHK			SCALE	<b>QUAZITE®</b> <b>BOX</b>	S	
ENG			3"=1'		REV	
APR			SIZE			<b>B</b>
APR			B			3/12
PROJECT NUMBER			DRAWING NUMBER			
00517			PC0608BG06		SHEET 1 OF 1	

