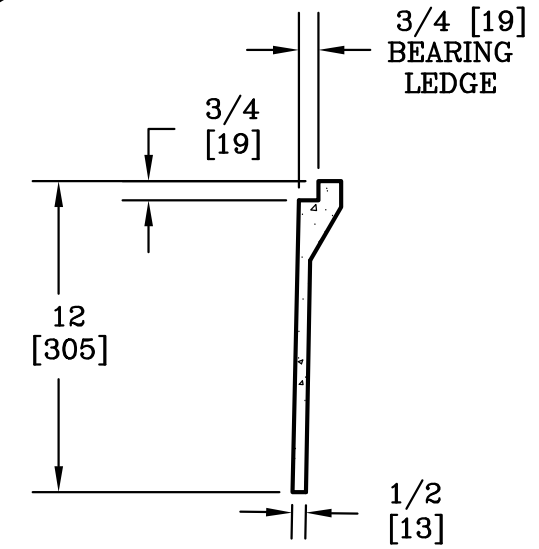
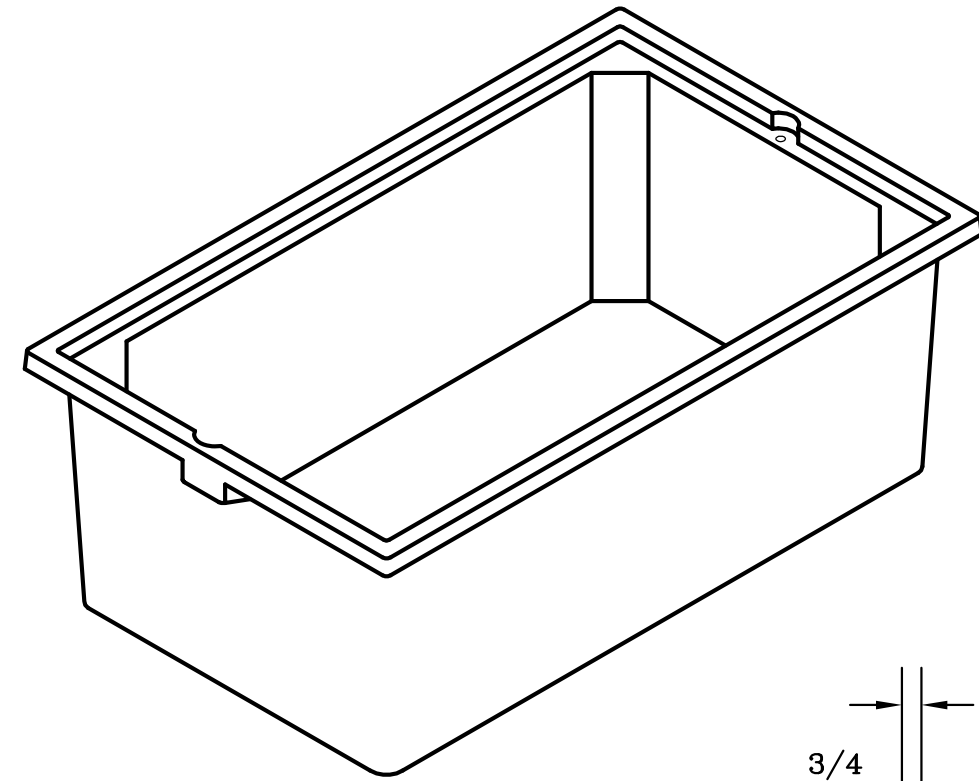
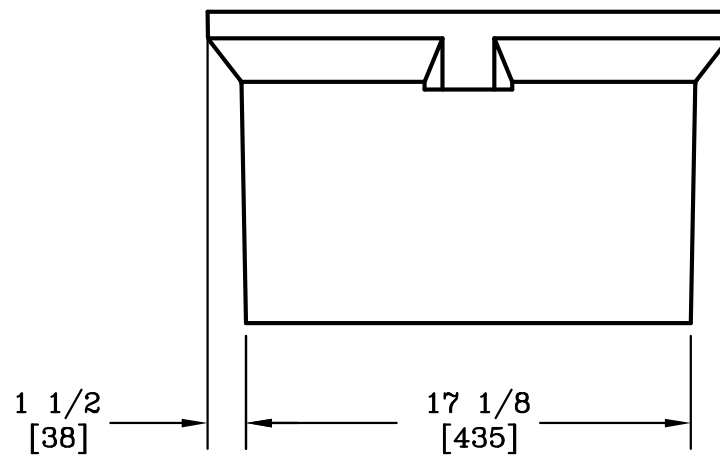
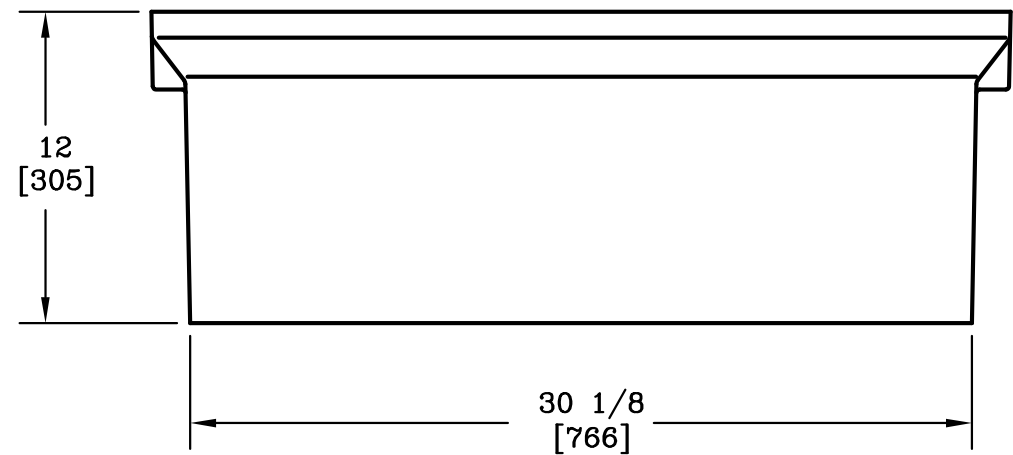


$\frac{3}{8}$ -7 SELF ALIGNING,
 REPLACEABLE S.S.
 EZ-NUT
 2 PLACES



SECTION A-A



NOTES:

1. DIMENSIONS IN BRACKETS ARE IN MILLIMETERS UNLESS NOTED OTHERWISE.



DIMENSIONS ARE IN INCHES OR MILLIMETERS IN BRACKETS UNLESS OTHERWISE NOTED.				3621 INDUSTRIAL PARK DR LENOIR CITY, TN 37771 800-346-3062 www.quazite.com	LOC	
DRN	BY	DATE	WEIGHT		DRAWING DESCRIPTION	S
CHK	MBF	5/22/89	56# 25kg	QUAZITE[®] BOX		REV
ENG	FMP	5/23/89	SCALE			G
APR	FMP	6/1/89	1 1/2"=1'			3/12
APR	VJB	6/1/89	SIZE			
PROJECT NUMBER					DRAWING NUMBER	
90477					PC1730BA12	
SHEET 1 OF 1						