



# Extra-Wide Flood

## Project Information

Job Name

Fixture Type 43 Watt LED Extra-Wide Flood Light

Catalog Number PFMXW43LED

Approved by

## PFMXW43LED 43 Watt LED Extra-Wide Flood Light



### SPECIFICATIONS:

**Lumens:** 5334

**Watts:** 40.21

**Lumens/Watt:** 132.7

**CRI:** 82

**CCT:** 4499

**Lifespan:** 200,000+ hrs.<sup>1</sup>

#### Construction:

Designed for commercial and industrial applications, providing cooler operating temperatures, brighter light and longer LED life. Apertures for field or factory installed photocontrol. Heavy duty knuckle with 90° adjustment.

#### Extra Wide Distribution Pattern:

Designed to provide maximum light spread for short set backs when lighting signs and washing walls.

#### Thermal Management:

Atlas Extra-Wide Flood Lights are designed as a complete system to optimize LED life and light output. The Patent Pending thermal stacking heat removal technology extracts heat from within the housing moving it away from LEDs and components. The lower temperatures result in long LED life (200,000+ hrs) and component life and also allows for higher light output.

#### Listings:

Luminaire is certified to UL/cUL Standards for Wet Locations

Lighting Facts Certified

DesignLights Consortium Premium qualified luminaire, eligible for rebates from DLC member utilities. DLC Product ID: P3VV5Y4G

#### AC Input:

120/208/240/277 V

#### Driver:

Constant current, Class 2, 120-277 VAC, 50-60 Hz

High Efficiency – min. 84%

Off-State Power: 0 Watts

0-10 V Dimming

#### LEDs:

4500K CCT

Epoxy Guard™ protective conformal coated boards

Atlas LEDs provide higher lumen output, greater energy efficiency and more reliable fixture performance.

#### Testing:

Atlas LED luminaires have been tested by an independent laboratory in accordance with IESNA LM-79 & LM-80, and have received the Department of Energy "Lighting Facts" label.

**Warranty:** Five-year limited warranty

#### Photo Control:

For factory installed 120V button photo control add suffix PC to part number.

**Alpha Series LED**  
PROFESSIONAL GRADE

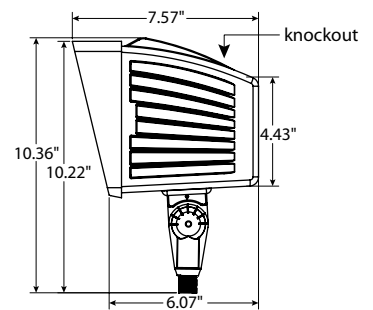
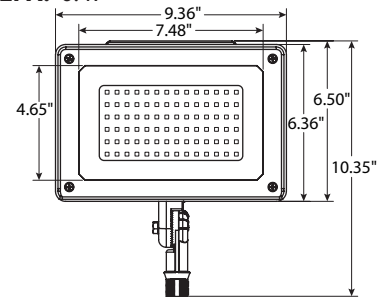


**PFMXW43LED**  
Design is Protected  
by US Patent D710,530

### DIMENSIONS:

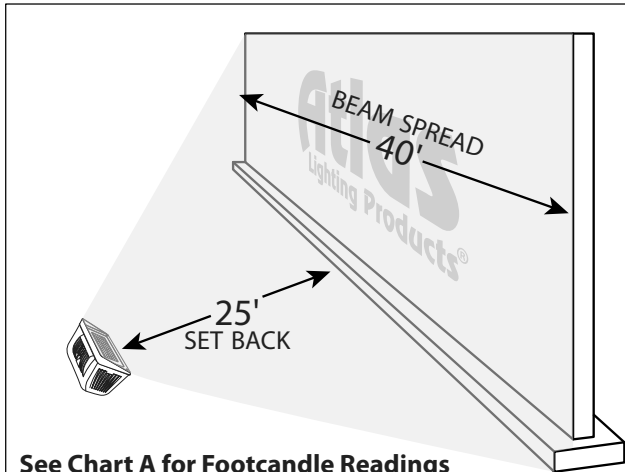
**Weight:** 10 lbs.

**EPA:** 0.47



<sup>1</sup>LED Life Span Based Upon LM-80 Test Results

**PHOTOMETRIC**



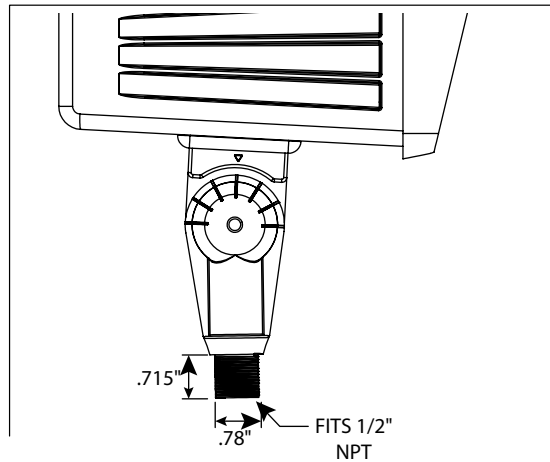
See Chart A for Footcandle Readings

FOOTCANDLE READINGS (CHART A)				
0'	5'	10'	15'	20'
3.9	3.6	3.0	2.2	1.6

**ENERGY SAVINGS**

LED		HID			ANNUAL SAVINGS
WATTAGE	ANNUAL COST	SOURCE WATTAGE	TOTAL WATTAGE USED	ANNUAL COST	
43	\$19	100	129	\$77	\$58
43	\$19	150	185	\$100	\$81
43	\$19	175	210	\$112	\$93

**MOUNTING DETAIL**



Atlas Lighting Products, Inc.

**LED lighting facts**  
A Program of the U.S. DOE

<b>Light Output (Lumens)</b>	<b>5334</b>
<b>Watts</b>	<b>40.21</b>
<b>Lumens per Watt (Efficacy)</b>	<b>132.7</b>

<b>Color Accuracy</b> Color Rendering Index (CRI)	<b>82</b>
--	-----------

<b>Light Color</b> Correlated Color Temperature (CCT)	<b>4499 (Bright White)</b>
--	----------------------------

2700K    3000K    4500K    6500K

All results are according to IESNA LM-79-2008: *Approved Method for the Electrical and Photometric Testing of Solid-State Lighting*. The U.S. Department of Energy (DOE) verifies product test data and results.

Visit [www.lightingfacts.com](http://www.lightingfacts.com) for the *Label Reference Guide*.

Registration Number: PRB4-8HUEQS (2/22/2016)  
Model Number: PFMXW43LED  
Type: Luminaire - Area/Roadway