



Power Flood Pro

PFL126LED 126 Watt LED Power Flood



SPECIFICATIONS:

Lumens: 13,180
Watts: 126.0
Lumens/Watt: 104.59
CRI: 71.8
CCT: 4703
Lifespan: 200,000+ hrs.¹

Construction:

Designed for commercial and industrial applications, providing cooler operating temperatures, brighter light and longer LED life. Apertures for field or factory installed photocontrol. Available with heavy duty trunion or slipfitter.

Optics:

Atlas Power Flood Pro fixtures utilize individual lenses for maximum light intensity. These lenses are made of optical grade acrylic. This guarantees more footcandles, less glare and less wasted light.

Thermal Management:

Atlas Power Flood Pro fixtures are designed as a complete system to optimize LED life and light output. The Patent Pending thermal stacking heat removal technology extracts heat from within the housing moving it away from LEDs and components. The lower temperatures result in long LED life (200,000+ hrs) and component life and also allows for higher light output.

Listings:

Luminaire is certified to UL/cUL Standards for Wet Locations
 Lighting Facts Certified
 DesignLights Consortium qualified luminaire, eligible for rebates from DLC member utilities. DLC Product ID: PUQ6YWA7

AC Input:

120/208/240/277 V

Driver:

Constant current, Class 2, 120-277 VAC, 50-60 Hz
 High Efficiency – min. 88%
 Off-State Power: 0 Watts
 0-10 V Dimming

LEDs:

4500K CCT
 Epoxy Guard™ protective conformal coated boards
 Atlas LEDs provide higher lumen output, greater energy efficiency and more reliable fixture performance. They are tested and binned at 700mA which is the actual operating current used in Atlas LED luminaires, giving a better representation of actual performance.

Reduced Glare:

Positioning of the LED modules within the housing result in light directed to desired locations and reduces offensive light.

Testing:

Atlas LED luminaires have been tested by an independent laboratory in accordance with IESNA LM-79 & LM-80, and have received the Department of Energy "Lighting Facts" label.

Warranty: Five-year limited warranty

Options:

Photo Control - For factory installed 120V button photo control add suffix PC to part number.
 480 Volt - For 480V add suffix 4 to part number.

Project Information

Job Name

Fixture Type 126 Watt LED Power Flood

Catalog Number PFL126LED

Approved by

Alpha Series LED
 PROFESSIONAL GRADE



PFL126LED Design is Protected by US Patent D740,997

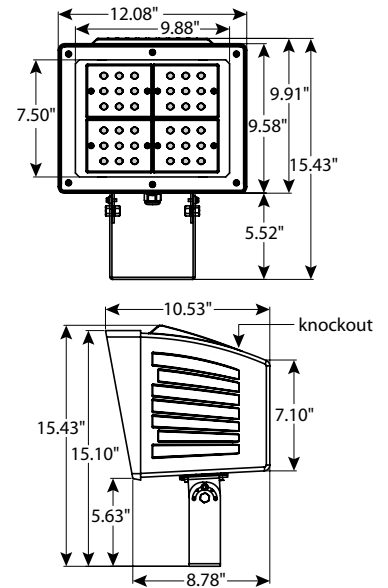


Optional Factory Installed Slipfitter PFL126LEDs

DIMENSIONS:

Weight: (with Trunion) 20 lbs.
 (with Slipfitter) 21 lbs.

EPA: 1.00



¹LED Life Span Based Upon LM-80 Test Results

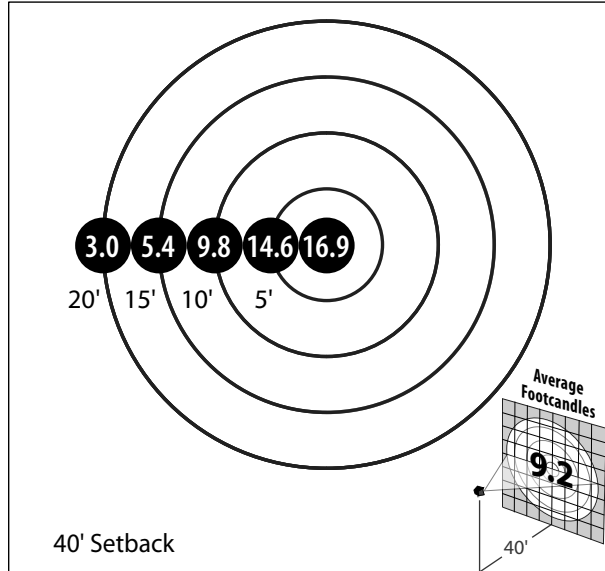
Rebates and Incentives are available in many areas. Contact an Atlas Representative for more information.

ATLAS LIGHTING PRODUCTS, INC.

PO BOX 2348 | BURLINGTON, NC 27216
 800-849-8485 | FAX: 336-227-0110 | www.atlasled.com

*The majority of Atlas Lighting Products are assembled in USA facilities by an American Workforce utilizing both Domestic and Foreign components. Meets Buy American requirements within the ARRA.

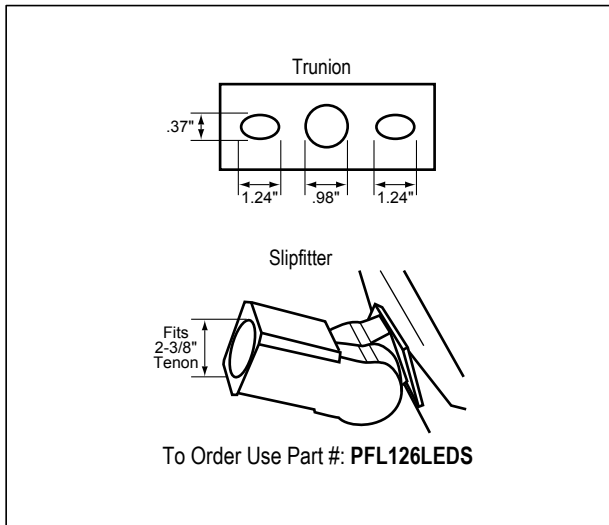
PHOTOMETRIC



ENERGY SAVINGS

LED		HID			ANNUAL SAVINGS
WATTAGE	ANNUAL COST	SOURCE WATTAGE	TOTAL WATTAGE USED	ANNUAL COST	
126	\$55	200	232	\$128	\$73
126	\$55	250	285	\$150	\$95
126	\$55	400	458	\$226	\$171

MOUNTING DETAIL



Atlas Lighting Products

LED lighting facts
A Program of the U.S. DOE

Light Output (Lumens)	13180
Watts	126.01
Lumens per Watt (Efficacy)	104.59

Color Accuracy Color Rendering Index (CRI)	72
--	-----------

Light Color Correlated Color Temperature (CCT)	4703 (Daylight)		
↓			
Warm White	Bright White	Daylight	
2700K	3000K	4500K	6500K

All results are according to IESNA LM-79-2008: *Approved Method for the Electrical and Photometric Testing of Solid-State Lighting*. The U.S. Department of Energy (DOE) verifies product test data and results.

Visit www.lightingfacts.com for the **Label Reference Guide**.

Registration Number: PRB4-IQM5YN (6/17/2016)
Model Number: PFL126LED
Type: Luminaire - Area/Roadway