



# SlimPak Pro

## WSPS20LED 20 Watt LED SlimPak



3000K or warmer CCTs only

### Project Information

#### Job Name

Fixture Type 20 Watt LED Die Cast SlimPak

Catalog Number WSPS20LED

#### Approved by

### SPECIFICATIONS:

	WSPS20LED3K	WSPS20LED4K	WSPS20LED	WSPS20LED5K
<b>Lumens:</b>	2125	2125	2228	2418
<b>Watts:</b>	19.82	19.82	20.3	19.82
<b>Lumens/Watt:</b>	107.2	107.2	109.77	121.97
<b>CRI:</b>	83.2	71.2	71.2	71.2
<b>CCT:</b>	2929	4000	4540	4838
<b>DLC Prod. ID:</b>	POUYUSJ3	PMS4BPUC	PM2MG7HW	PFO3MGLQ

### Construction:

Designed for commercial and industrial applications, providing cooler operating temperatures, brighter light and longer LED life. Apertures for field or factory installed photocontrol. Hinged at bottom to prevent leakage.

### Installation:

Labor saving features including bubble level and removable hinged face frame.

### Zero Glare:

The fixture design directs more light down and forward without wasting lumens and offensive light.

### Thermal Management:

Atlas SlimPak Pro fixtures are designed as a complete system to optimize LED life and light output. The Patent Pending thermal stacking heat removal technology extracts heat from within the housing moving it away from LEDs and components. The lower temperatures result in long LED life (200,000+ hrs<sup>1</sup>) and component life and also allows for higher light output.

### Listings:

Luminaire is certified to UL/cUL Standards for Wet Locations DesignLights Consortium qualified luminaire, eligible for rebates from DLC member utilities. IDA Listed (3000K or warmer CCTs only)

### AC Input:

120/208/240/277 V

### Driver:

Constant current, Class 2, 120-277 VAC, 50-60 Hz  
High Efficiency – min. 85%  
Off-State Power: 0 Watts  
0-10 V Dimming

### LEDs

3000K | 4000K | 4500K | 5000K CCT

### Testing:

Atlas LED luminaires have been tested by an independent laboratory in accordance with IESNA LM-79 & LM-80.

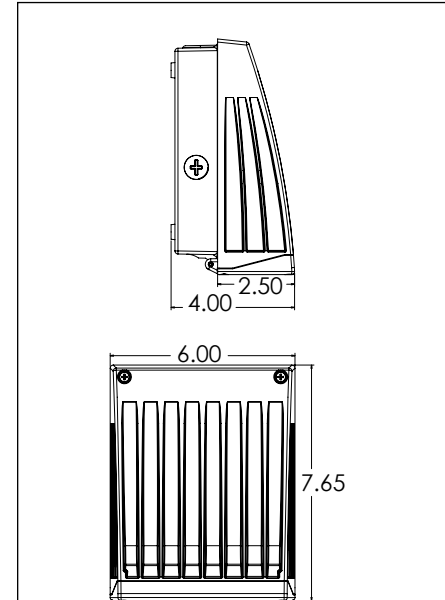
**Warranty:** Five-year limited warranty

### Photo Control:

For factory installed 120V button photo control add suffix PC to part number. Atlas uses only premium LED compatible photocontrols.



### DIMENSIONS:



<sup>1</sup>LED Life Span Based Upon LM-80 Test Results

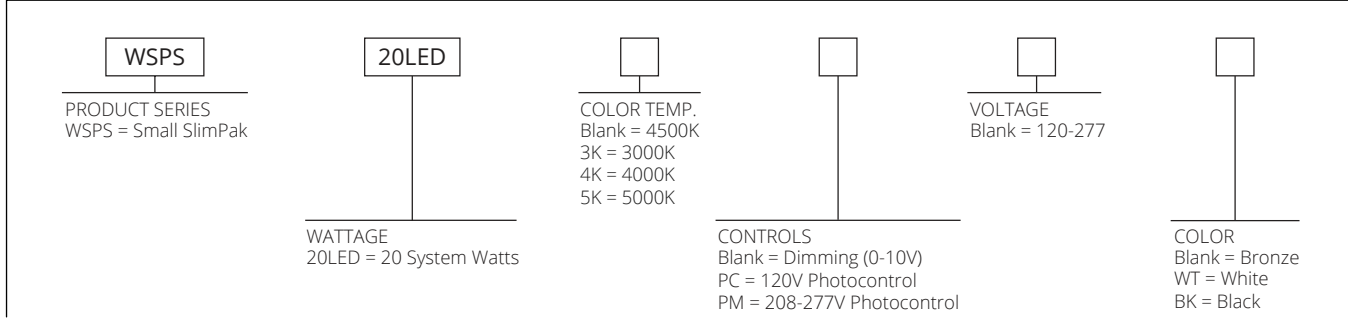
**Rebates and Incentives are available in many areas. Contact an Atlas Representative for more information.**

## ATLAS LIGHTING PRODUCTS, INC.

PO BOX 2348 | BURLINGTON, NC 27216  
800-849-8485 | FAX: 1-855-847-2794 | www.atlasled.com

\*The majority of Atlas Lighting Products are assembled in USA facilities by an American Workforce utilizing both Domestic and Foreign components. Meets Buy American requirements within the ARRA.

**ORDERING FORMAT**



**PHOTOMETRIC**

