



# Wall Light

## WLMFC43LED 43 Watt LED Wall Light



### SPECIFICATIONS:

	WLMFC43LED3K	WLMFC43LED
<b>Lumens:</b>	5,151	5,366
<b>Watts:</b>	41.13	41.20
<b>Lumens/Watt:</b>	125.2	130.2
<b>CRI:</b>	81	81.9
<b>CCT:</b>	3104	4602
<b>DLC Prod. ID:</b>	P0000053L	PUQ52AYH

#### Construction:

Rugged Traditional aluminum die cast housing provides proven environmental protection for LED modules. Traditional fixture design provides a familiar look and standard installation requirements. Retaining this look allows the ability to upgrade fixtures gradually, while retaining the same overall fixture appearance throughout a facility.

#### Glare Free:

Positioning of the LED modules within the housing result in light directed to desired locations and eliminates offensive light.

#### Thermal Management:

Atlas' Patent Pending exclusive Thermal Management System™ features a unique internal design that allows for lower operating temperatures which results in a brighter, whiter light, more stable color and longer LED and driver life.

#### Listings:

Luminaire is certified to UL/cUL Standards for Wet Locations DesignLights Consortium Premium qualified luminaire, eligible for rebates from DLC member utilities.

#### AC Input:

120/208/240/277 V

#### Driver:

Constant current, Class 2, 120-277 VAC, 50-60 Hz  
High Efficiency – min. 88%  
Off-State Power: 0 Watts  
0-10 V Dimming

#### LEDs:

3000K | 4500K CCT  
Epoxy Guard™ protective conformal coated boards  
Atlas LEDs provide higher lumen output, greater energy efficiency and more reliable fixture performance.

#### Warranty:

Atlas Lighting Products provides a 5 year limited warranty for this product. A full warranty can be found at [www.alpinc.com](http://www.alpinc.com).

#### Testing:

Atlas LED luminaires have been tested by an independent laboratory in accordance with IESNA LM-79 & LM-80.

#### Installation:

Fixture retains the same knock-out sizes and positions as previous models, reducing wiring costs.

#### Photo Control:

For factory installed 120V button photo control add suffix PC to part number.

#### Emergency Back-up:

For factory installed Emergency Back-Up add suffix EB to part number.

#### 480 Volt:

For 480V add suffix 4 to part number.

### Project Information

Job Name

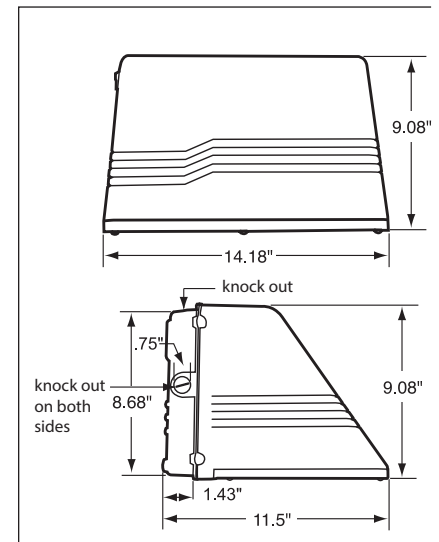
Fixture Type 43 Watt LED Medium Wall Light

Catalog Number WLMFC43LED

Approved by



### DIMENSIONS:



<sup>1</sup>LED Life Span Based Upon LM-80 Test Results

**Rebates and Incentives are available in many areas. Contact an Atlas Representative for more information.**

## ATLAS LIGHTING PRODUCTS, INC.

PO BOX 2348 | BURLINGTON, NC 27216  
800-849-8485 | FAX: 1-855-847-2794 | [www.atlasled.com](http://www.atlasled.com)

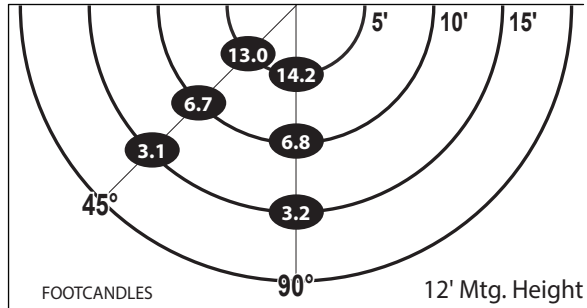
\*The majority of Atlas Lighting Products are assembled in USA facilities by an American Workforce utilizing both Domestic and Foreign components. Meets Buy American requirements within the ARRA.



# Wall Light

**WLMFC43LED** 43 Watt LED Medium Wall Light

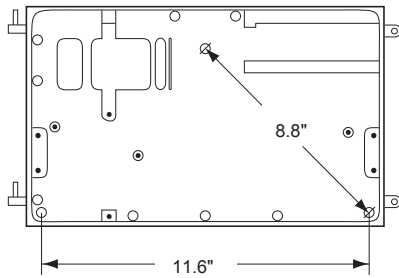
## PHOTOMETRIC



## ENERGY SAVINGS

LED		HID			ANNUAL SAVINGS
WATTAGE	ANNUAL COST	SOURCE WATTAGE	TOTAL WATTAGE USED	ANNUAL COST	
43	\$19	100	129	\$77	\$58
43	\$19	150	185	\$100	\$81
43	\$19	175	210	\$112	\$93

## MOUNTING DETAIL



### ATLAS LIGHTING PRODUCTS, INC.

PO BOX 2348 | BURLINGTON, NC 27216  
 800-849-8485 | FAX: 1-855-847-2794 | www.atlasled.com

The majority of Atlas Lighting Products are assembled in USA facilities by an American Workforce utilizing both Domestic and Foreign components. Meets Buy American requirements within the ARRA.