



Wall Light

WLM80LED 80 Watt LED Wall Light



3000K or warmer CCTs only

SPECIFICATIONS:

| | WLM80LED3K | WLM80LED4K | WLM80LED | WLM80LED5K |
|----------------------|------------|------------|----------|------------|
| Lumens: | 8,615 | 8,615 | 8,615 | 8,875 |
| Watts: | 78.89 | 78.89 | 78.89 | 78.89 |
| Lumens/Watt: | 109.2 | 109.2 | 109.2 | 112.5 |
| CRI: | 72.7 | 72.7 | 72.7 | 72.2 |
| CCT: | 3050 | 4000 | 4500 | 4985 |
| DLC Prod. ID: | PBOQON20 | P2EXOFTJ | P8QA1E44 | PG4Q67LZ |

Construction:

Rugged Traditional aluminum die cast housing provides proven environmental protection for LED modules. Traditional fixture designs provide a familiar look and standard installation requirements. Retaining this look allows the ability to upgrade fixtures gradually, while retaining the same overall fixture appearance throughout a facility.

Glare Free:

Positioning of the LED modules within the housing result in light directed to desired locations and eliminates offensive light.

Lens:

Lens assembly is designed to provide high efficiency and to target the light where needed to satisfy outdoor lighting requirements. Positioning of the LEDs (along with Patent Pending thermal management system) results in the light being directed to desired locations eliminating glare and offensive light.

Thermal Management:

Atlas' Patent Pending exclusive Thermal Management System™ features a unique internal design that allows for lower operating temperatures which results in a brighter, whiter light, more stable color and longer LED and driver life.

Listings:

Luminaire is certified to UL/cUL Standards for Wet Locations DesignLights Consortium qualified luminaire, eligible for rebates from DLC member utilities.

AC Input:

120/208/240/277 V

Driver:

Constant current, Class 2, 120-277 VAC, 50-60 Hz
High Efficiency – min. 88%
0-10 V Dimming

LEDs:

3000K | 4000K | 4500K | 5000K CCT

Epoxy Guard™ protective conformal coated boards

Atlas LEDs provide higher lumen output, greater energy efficiency and more reliable fixture performance. They are tested and binned at 700mA which is the actual operating current used in Atlas LED luminaires, giving a better representation of actual performance.

Warranty: Five-year limited warranty

Testing:

Atlas LED luminaires have been tested by an independent laboratory in accordance with IESNA LM-79 & LM-80.

Installation: Fixture retains the same knock-out sizes and positions as previous models, reducing wiring costs.

Photo Control: For factory installed 120V button photo control add suffix PC to part number. For factory installed 208-277V button photo control add suffix PM to part number.

Capital Controls: For factory installed Bluetooth Microwave Motion Control (including PC) add BTM to part number.

Emergency Back-up: For factory installed Emergency Back-Up add suffix EB to part number.

480 Volt: For 480V add suffix 4 to part number.

Weight: 9.25 lbs.

Project Information

Job Name

Fixture Type 80 Watt LED Die Cast Wall Light

Catalog Number WLM80LED

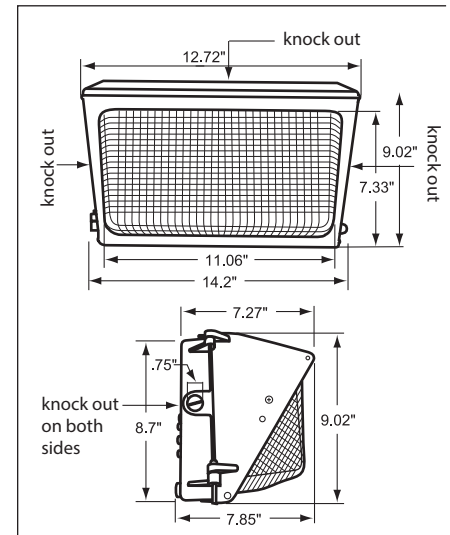
Approved by



WLM80LED
Design is Protected by
U.S. Patent No. 9,482,395



DIMENSIONS:



¹LED Life Span Based Upon LM-80 Test Results

ATLAS LIGHTING PRODUCTS, INC.

PO BOX 2348 | BURLINGTON, NC 27216
800-849-8485 | FAX: 1-855-847-2794 | www.atlasled.com

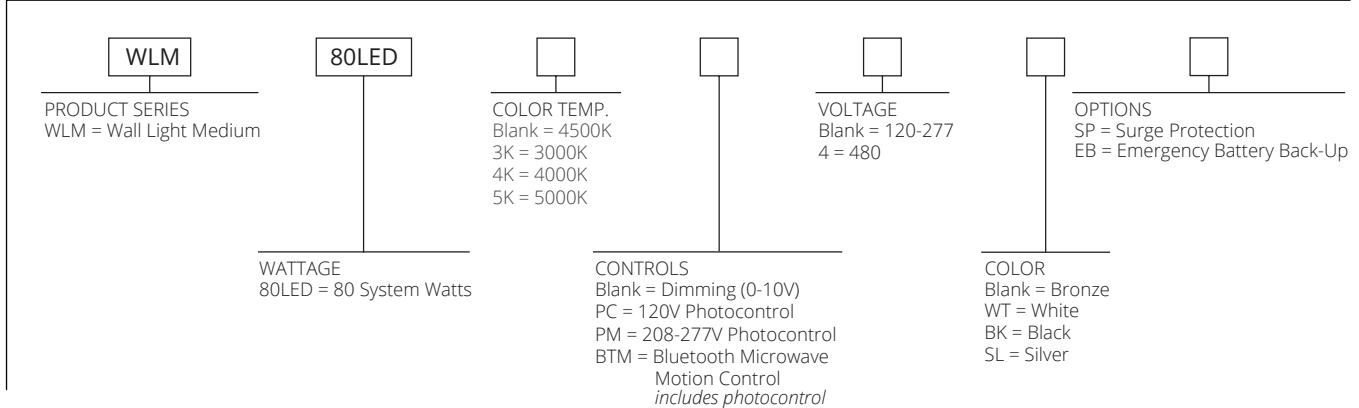
*The majority of Atlas Lighting Products are assembled in USA facilities by an American Workforce utilizing both Domestic and Foreign components. Meets Buy American requirements within the ARRA.



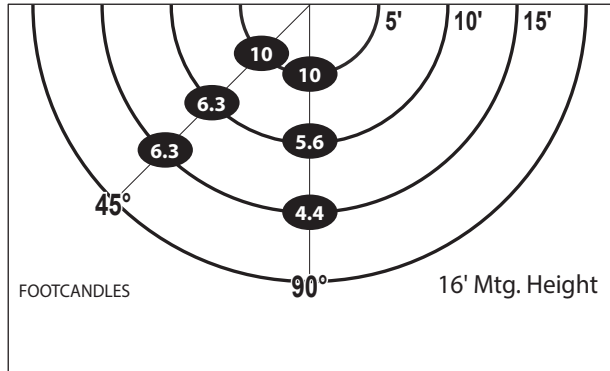
Wall Light

WLM80LED 80 Watt LED Wall Light

ORDERING FORMAT



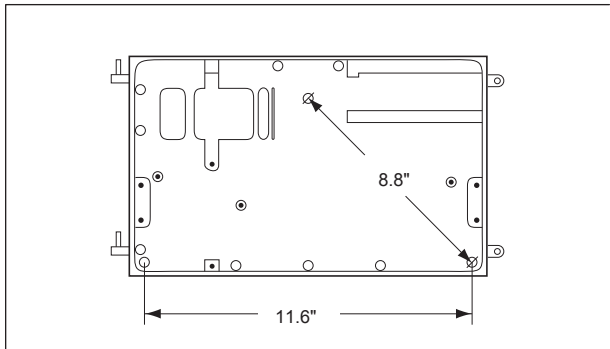
PHOTOMETRIC



ENERGY SAVINGS

| LED | | HID | | | ANNUAL SAVINGS |
|---------|-------------|----------------|--------------------|-------------|----------------|
| WATTAGE | ANNUAL COST | SOURCE WATTAGE | TOTAL WATTAGE USED | ANNUAL COST | |
| 80 | \$35 | 200 | 232 | \$128 | \$93 |
| 80 | \$35 | 250 | 285 | \$150 | \$115 |
| 80 | \$35 | 400 | 458 | \$226 | \$191 |

MOUNTING DETAIL



ATLAS LIGHTING PRODUCTS, INC.

PO BOX 2348 | BURLINGTON, NC 27216
800-849-8485 | FAX: 1-855-847-2794 | www.atlasled.com

The majority of Atlas Lighting Products are assembled in USA facilities by an American Workforce utilizing both Domestic and Foreign components. Meets Buy American requirements within the ARRA.