



# Wall Light

## WLM43LED 43 Watt LED Wall Light



### SPECIFICATIONS:

	WLM43LED3K	WLM43LED
<b>Lumens:</b>	3,908	4,350
<b>Watts:</b>	40.87	40.79
<b>Lumens/Watt:</b>	95.6	106.6
<b>CRI:</b>	81	82.2
<b>CCT:</b>	3099	4579
<b>DLC Prod. ID:</b>	N/A	PDG4N6GHG

### Construction:

Rugged Traditional aluminum die cast housing provides proven environmental protection for LED modules. Traditional fixture designs provide a familiar look and standard installation requirements. Retaining this look allows the ability to upgrade fixtures gradually, while retaining the same overall fixture appearance throughout a facility.

### Glare Free:

Positioning of the LED modules within the housing result in light directed to desired locations and eliminates offensive light.

### Lens:

Lens assembly is designed to provide high efficiency and to target the light where needed to satisfy outdoor lighting requirements. Positioning of the LEDs (along with Patent Pending thermal management system) results in the light being directed to desired locations eliminating glare and offensive light.

### Thermal Management:

Atlas' Patent Pending exclusive Thermal Management System™ features a unique internal design that allows for lower operating temperatures which results in a brighter, whiter light, more stable color and longer LED and driver life.

### Listings:

Luminaire is certified to UL/cUL Standards for Wet Locations DesignLights Consortium qualified luminaire, eligible for rebates from DLC member utilities.

### AC Input:

120/208/240/277 V

### Driver:

Constant current, Class 2, 120-277 VAC, 50-60 Hz  
High Efficiency – min. 88%  
0-10 V Dimming

### LEDs:

3000K | 4500K CCT

Epoxy Guard™ protective conformal coated boards

Atlas LEDs provide higher lumen output, greater energy efficiency and more reliable fixture performance. They are tested and binned at 700mA which is the actual operating current used in Atlas LED luminaires, giving a better representation of actual performance.

**Warranty:** Five-year limited warranty

### Testing:

Atlas LED luminaires have been tested by an independent laboratory in accordance with IESNA LM-79 & LM-80.

**Installation:** Fixture retains the same knock-out sizes and positions as previous models, reducing wiring costs.

**Photo Control:** For factory installed 120V button photo control add suffix PC to part number.

**Capital Controls:** For factory installed Bluetooth Microwave Motion Control (including PC) add BTM to part number.

**Emergency Back-up:** For factory installed Emergency Back-Up add suffix EB to part number.

**480 Volt:** For 480V add suffix 4 to part number.

**Weight:** 9.25 lbs.

### Project Information

Job Name

Fixture Type 43 Watt LED Die Cast Wall Light

Catalog Number WLM43LED

Approved by

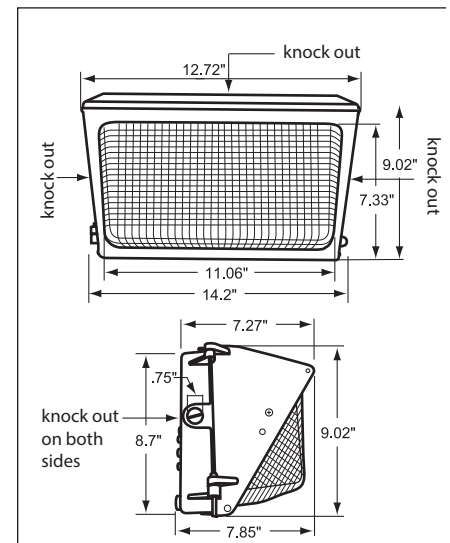


**WLM43LED**  
Design is Protected by  
U.S. Patent No. 9,482,395

BUY AMERICAN



### DIMENSIONS:



<sup>1</sup>LED Life Span Based Upon LM-80 Test Results

## ATLAS LIGHTING PRODUCTS, INC.

PO BOX 2348 | BURLINGTON, NC 27216  
800-849-8485 | FAX: 1-855-847-2794 | www.atlasled.com

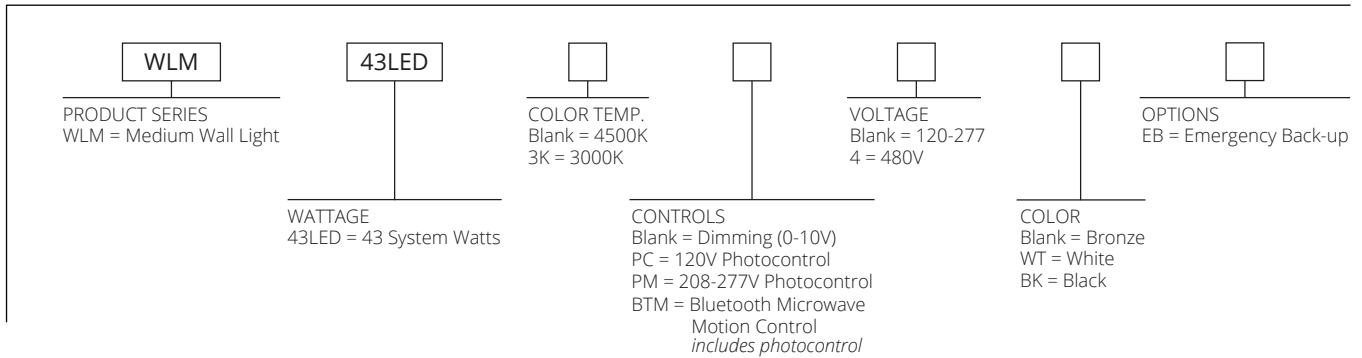
\*The majority of Atlas Lighting Products are assembled in USA facilities by an American Workforce utilizing both Domestic and Foreign components. Meets Buy American requirements within the ARRA.



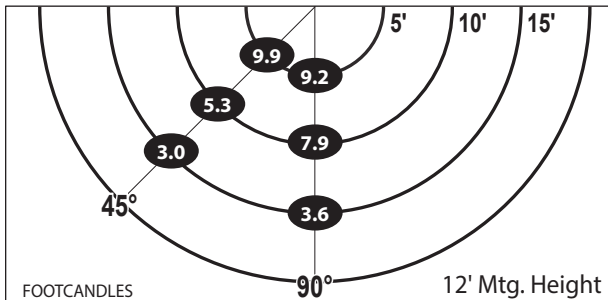
# Wall Light

**WLM43LED** 43 Watt LED Wall Light

## ORDERING FORMAT



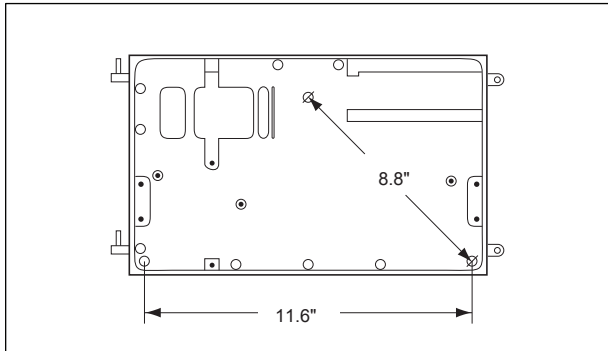
## PHOTOMETRIC



## ENERGY SAVINGS

LED		HID			ANNUAL SAVINGS
WATTAGE	ANNUAL COST	SOURCE WATTAGE	TOTAL WATTAGE USED	ANNUAL COST	
43	\$19	100	129	\$77	\$58
43	\$19	150	185	\$100	\$81
43	\$19	175	210	\$112	\$93

## MOUNTING DETAIL



### ATLAS LIGHTING PRODUCTS, INC.

PO BOX 2348 | BURLINGTON, NC 27216  
 800-849-8485 | FAX: 1-855-847-2794 | www.atlasled.com

The majority of Atlas Lighting Products are assembled in USA facilities by an American Workforce utilizing both Domestic and Foreign components. Meets Buy American requirements within the ARRA.