

Atlas Wall Light

American Lighting

Project Information

Job Name

Fixture Type 86 Watt LED Die Cast Wall Light

Catalog Number WLD86LED

Approved by

WLD86LED 86 Watt LED Wall Light



SPECIFICATIONS:

	WLD86LED3K	WLD86LED4K	WLD86LED	WLD86LED5K
Lumens:	9120	9120	9120	9120
Watts:	83.58	83.58	83.58	83.58
Lumens/Watt:	109.12	109.12	109.12	109.12
CRI:	70	70	70	70
CCT:	3000	4000	4500	5000
DLC Prod. ID:	PE5V2B9I	PHQHLZPV	P4XQ6ZBF	PLPPUUJ3



Construction:

Rugged Traditional aluminum die cast housing provides proven environmental protection for LED modules. Traditional fixture designs provide a familiar look and standard installation requirements. Retaining this look allows the ability to upgrade fixtures gradually, while retaining the same overall fixture appearance throughout a facility.

Glare Free:

Positioning of the LED modules within the housing result in light directed to desired locations and eliminates offensive light.

Lens:

Lens assembly is designed to provide high efficiency and to target the light where needed to satisfy outdoor lighting requirements.

Positioning of the LEDs (along with Patent Pending thermal management system) results in the light being directed to desired locations eliminating glare and offensive light.

Thermal Management:

Atlas' Patent Pending exclusive Thermal Stacking Technology System™ features a unique internal design that allows for lower operating temperatures which results in a brighter, whiter light, more stable color and longer LED and driver life.

Listings:

Luminaire is certified to UL/cUL Standards for Wet Locations DesignLights Consortium qualified luminaire, eligible for rebates from DLC member utilities.

AC Input:

120/208/240/277 V

Driver:

Constant current, Class 2, 120-277 VAC, 50-60 Hz
High Efficiency – min. 84%
Dimming: 0-10V

LEDs:

3000K, 4000K, 4500K, 5000K CCT

Epoxy Guard™ protective conformal coated boards

Atlas LEDs provide higher lumen output, greater energy efficiency and more reliable fixture performance. They are tested and binned at 700mA which is the actual operating current used in Atlas LED luminaires, giving a better representation of actual performance.

Testing:

Atlas LED luminaires have been tested by an independent laboratory in accordance with IESNA LM-79 & LM-80

Warranty: Five-year limited warranty

Installation: Fixture retains the same knock-out sizes and positions as previous models, reducing wiring costs.

Weight: 15.0 lbs.

Photo Control: For factory installed 120V button photo control add suffix PC to part number.

Capital Controls: For factory installed Bluetooth Microwave Motion Control (including PC) add BTM to part number.

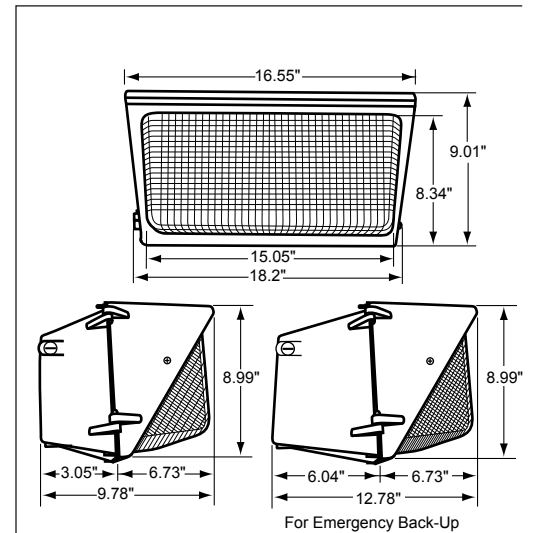
Emergency Back-up²: For factory installed Emergency Back-Up add suffix EB to part number.

¹LED Life Span Based Upon LM-80 Test Results

²Emergency Back-Up requires larger back housing. Contact Atlas for more details.



DIMENSIONS:



Patent Pending

ATLAS LIGHTING PRODUCTS, INC.

PO BOX 2348 | BURLINGTON, NC 27216
800-849-8485 | FAX: 1-855-847-2794 | www.atlasled.com

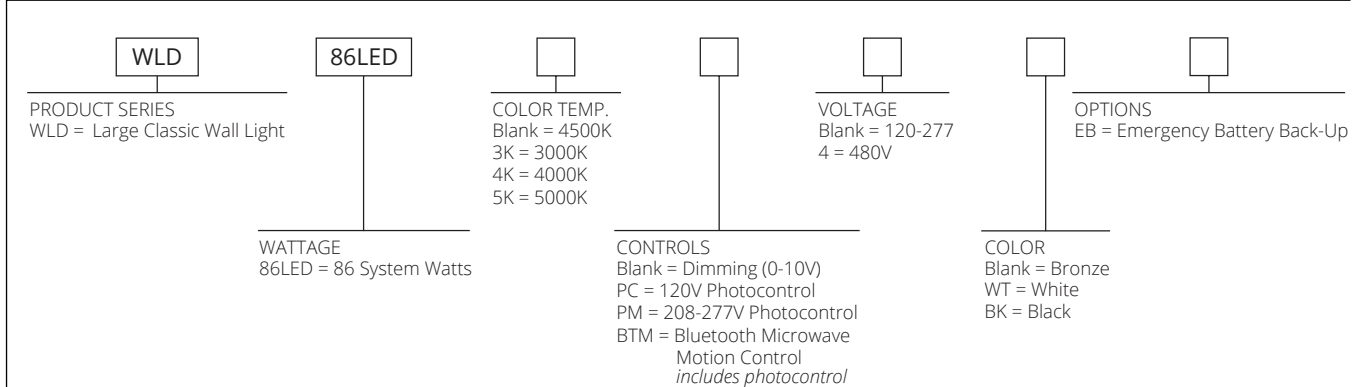
Made in the USA of US and imported parts. Meets Buy American requirements within the ARRA.



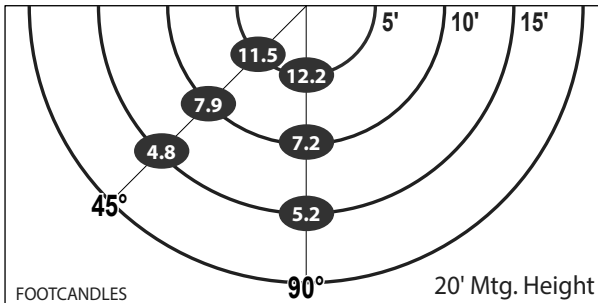
Wall Light

WLD86LED 86 Watt LED Wall Light

ORDERING FORMAT



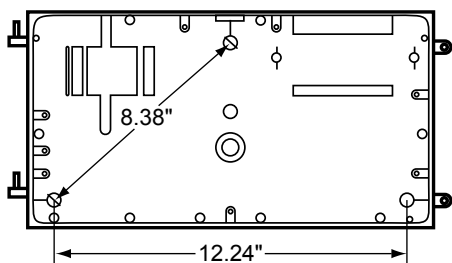
PHOTOMETRIC



ENERGY SAVINGS

LED		HID			ANNUAL SAVINGS
WATTAGE	ANNUAL COST	SOURCE WATTAGE	TOTAL WATTAGE USED	ANNUAL COST	
86	\$38	200	232	\$128	\$90
86	\$38	250	285	\$150	\$112
86	\$38	400	458	\$226	\$188

MOUNTING DETAIL



ATLAS LIGHTING PRODUCTS, INC.

PO BOX 2348 | BURLINGTON, NC 27216
800-849-8485 | FAX: 1-855-847-2794 | www.atlasled.com

Made in the USA of US and imported parts. Meets Buy American requirements within the ARRA.